

EXHIBIT "2"
TO
DECLARATION OF SUMMER HOUSE IN OLD PONTE VEDRA CONDOMINIUM

COPY
PHASE I LAND
(PLOT PLAN, SURVEY, FLOOR
PLANS AND UNIT PLANS)

COPY

COPY

Summer House in Old Ponte Vedra Condominium

Ponte Vedra, Florida

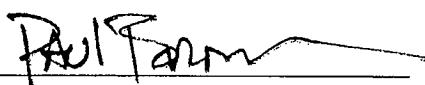
COPY

CERTIFICATION

The undersigned architect or engineer, being authorized to practice in the State of Florida, hereby certifies that, in accordance with the provisions of Section 718.104(4)(e), Florida Statutes, the construction of the improvements described is substantially complete so that the material, together with the provisions of the Declaration of Condominium for Summer House in Old Ponte Vedra Condominium, describing the condominium property is an accurate representation of the location and dimensions of the improvements, and further that the identification, location and dimensions of the common elements and of each unit can be determined from these materials.

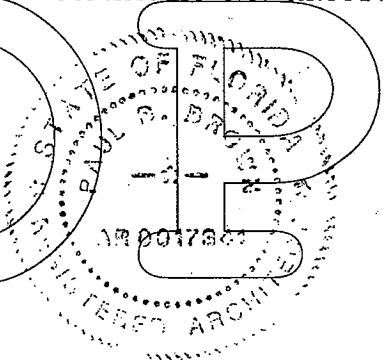
COPY

Signed this 18 day of March A.D., 2005



Brown Doane Architects, Inc.
Paul B. Brown
Registered Architect Certificate No. AR0017341
State of Florida

COPY



PREPARED BY:

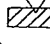

Brown Doane Architects, Inc.
1575 Northside Drive NW Suite 350
Atlanta, Georgia 30318
(404) 803-3500

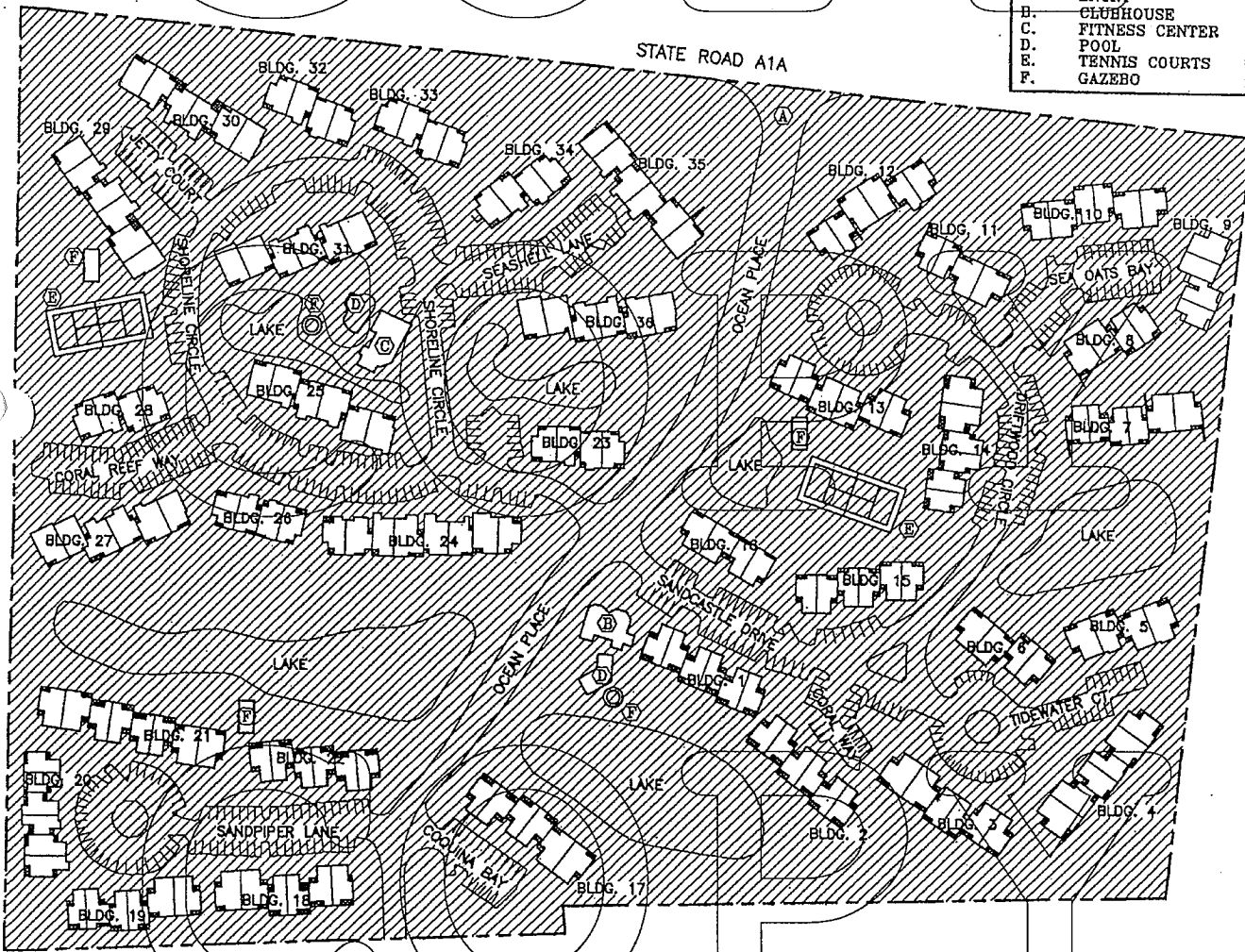
EXHIBIT:

SHEET:

Summer House in Old Ponte Vedra Condominium Ponte Vedra, Florida

COPY

LEGEND	
	DENOTES COMMON ELEMENTS
	DENOTES LIMITED COMMON ELEMENTS
ACCESSORY BUILDING LEGEND:	
A.	ENTRY
B.	CLUBHOUSE
C.	FITNESS CENTER
D.	POOL
E.	TENNIS COURTS
F.	GAZEBO



PHASE ONE
PLOT PLAN

A1.2

SCALE: 1" = 200'-0"



PREPARED BY:
Crown Doane Architects, Inc.
 1575 Northside Drive NW Suite 350
 Atlanta, Georgia 30318
 (404) 603-3600

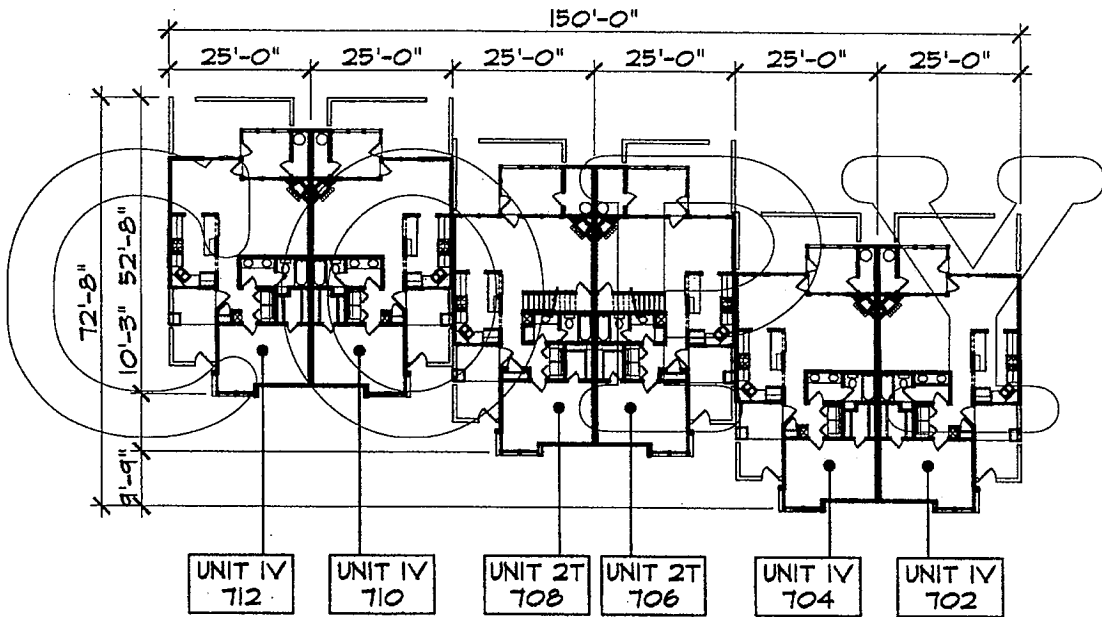
EXHIBIT:

SHEET:

Summer House in Old Ponte Vedra Condominium

Ponte Vedra, Florida

COPY



COPY

PHASE ONE
BUILDING I FIRST FLOOR PLAN

1
A2.1

SCALE: 1" = 30'-0"

ALL DIMENSIONS ARE TO OUTSIDE OF UNIT WALL

PREPARED BY:

Brown Doane Architects, Inc.
1575 Northside Drive NW Suite 350
Atlanta, Georgia 30318
(404) 503-3500

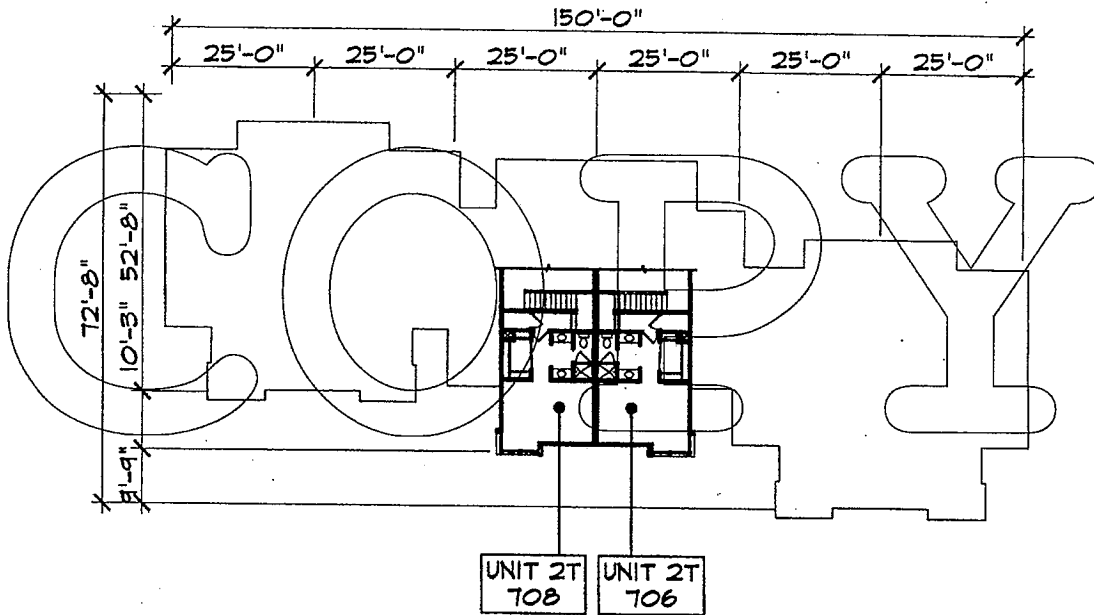
EXHIBIT:

SHEET:

Summer House in Old Ponte Vedra Condominium

Ponte Vedra, Florida

COPY



COPY

PHASE ONE BUILDING I SECOND FLOOR PLAN

1
A2.2

SCALE: 1" = 30'-0"

ALL DIMENSIONS ARE TO OUTSIDE OF UNIT WALL

PREPARED BY:

Brown Doane Architects, Inc.
1575 Northside Drive NW Suite 350
Atlanta, Georgia 30318
(404) 603-3500

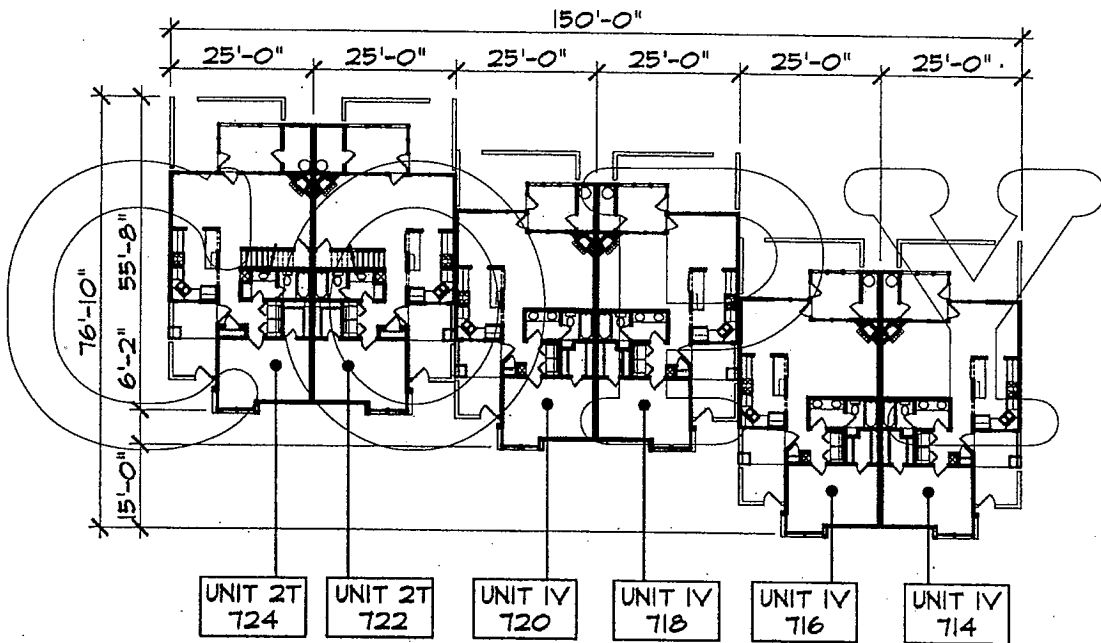
EXHIBIT:

SHEET:

Summer House in Old Ponte Vedra Condominium

Ponte Vedra, Florida

COPY



COPY

PHASE ONE
BUILDING 2 FIRST FLOOR PLAN

1
A2.3

SCALE: 1" = 30'-0"

ALL DIMENSIONS ARE TO OUTSIDE OF UNIT WALL

PREPARED BY:

Brown Doane Architects, Inc.
1576 Northside Drive NW Suite 350
Atlanta, Georgia 30318
(404) 603-3500

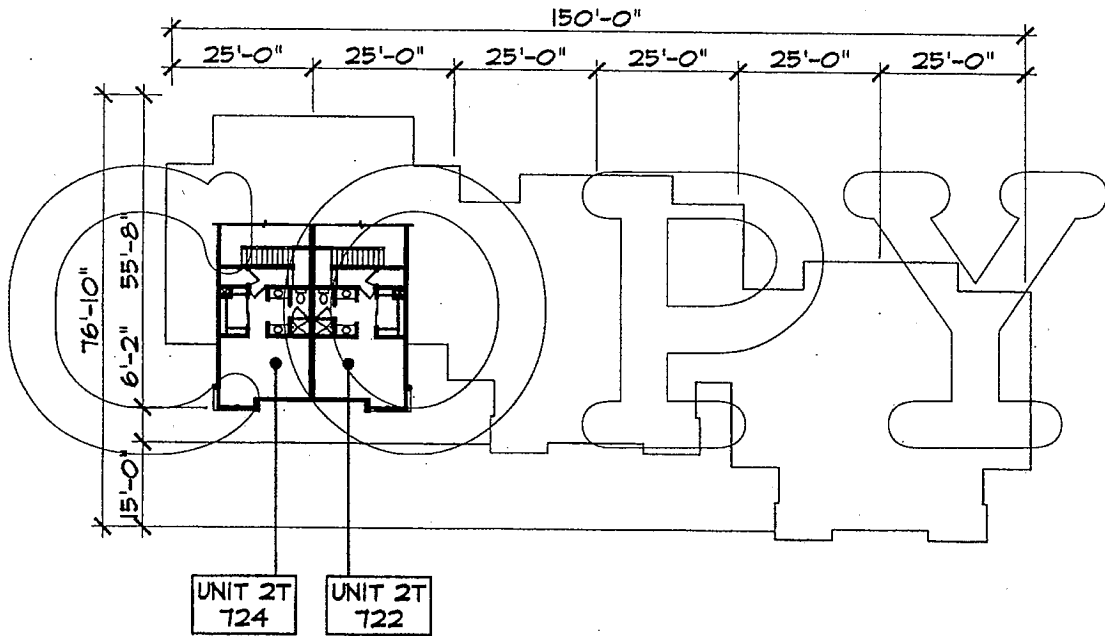
EXHIBIT:

SHEET:

Summer House in Old Ponte Vedra Condominium

Ponte Vedra, Florida

COPY



COPY

PHASE ONE
BUILDING 2 SECOND FLOOR PLAN

1
A2.4

SCALE: 1" = 30'-0"

ALL DIMENSIONS ARE TO OUTSIDE OF UNIT WALL

PREPARED BY:

Brown Doane Architects, Inc.
1576 Northside Drive NW Suite 360
Atlanta, Georgia 30318
(404) 603-3500

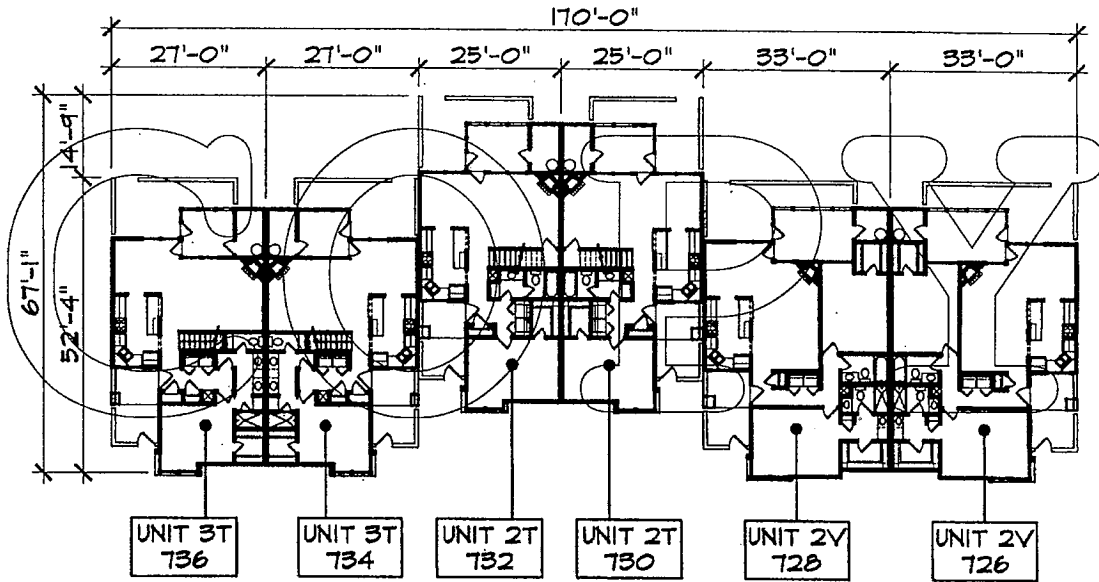
EXHIBIT:

SHEET:

Summer House in Old Ponte Vedra Condominium

Ponte Vedra, Florida

COPY



COPY

PHASE ONE
BUILDING 3 FIRST FLOOR PLAN

1
A2.5

SCALE: 1" = 30'-0"

ALL DIMENSIONS ARE TO OUTSIDE OF UNIT WALL

PREPARED BY:

Brown Doane Architects, Inc.
1575 Northside Drive NW Suite 360
Atlanta, Georgia 30318
(404) 803-3500

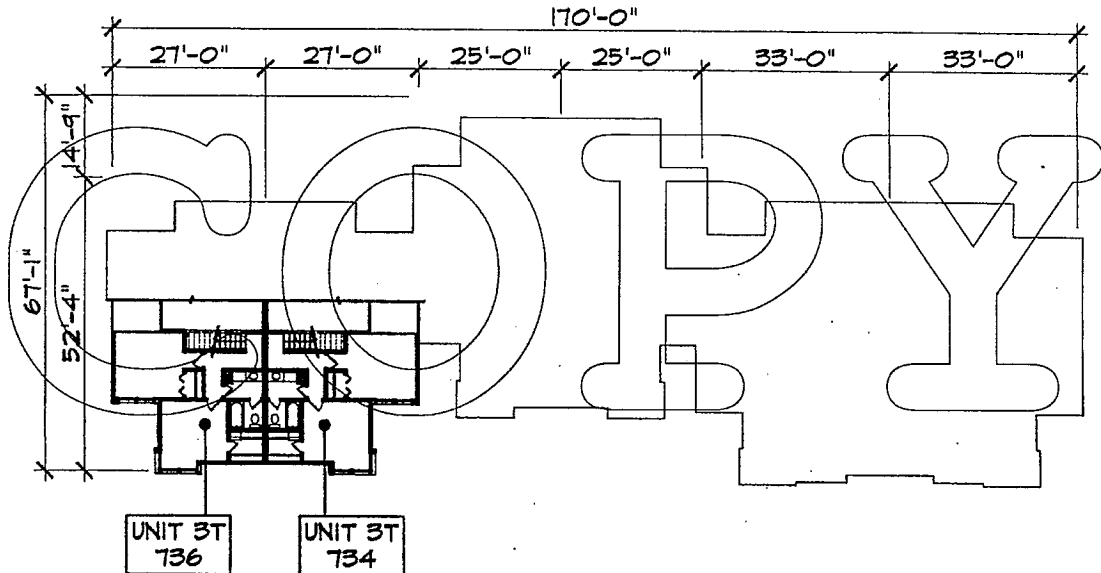
EXHIBIT:

SHEET:

Summer House in Old Ponte Vedra Condominium

Ponte Vedra, Florida

COPY



COPY

PHASE ONE
BUILDING 3 SECOND FLOOR PLAN

1
A2.6

SCALE: 1" = 30'-0"

ALL DIMENSIONS ARE TO OUTSIDE OF UNIT WALL

PREPARED BY:

Brown Doane Architects, Inc.
1675 Northside Drive NW Suite 360
Atlanta, Georgia 30316
(404) 603-3500

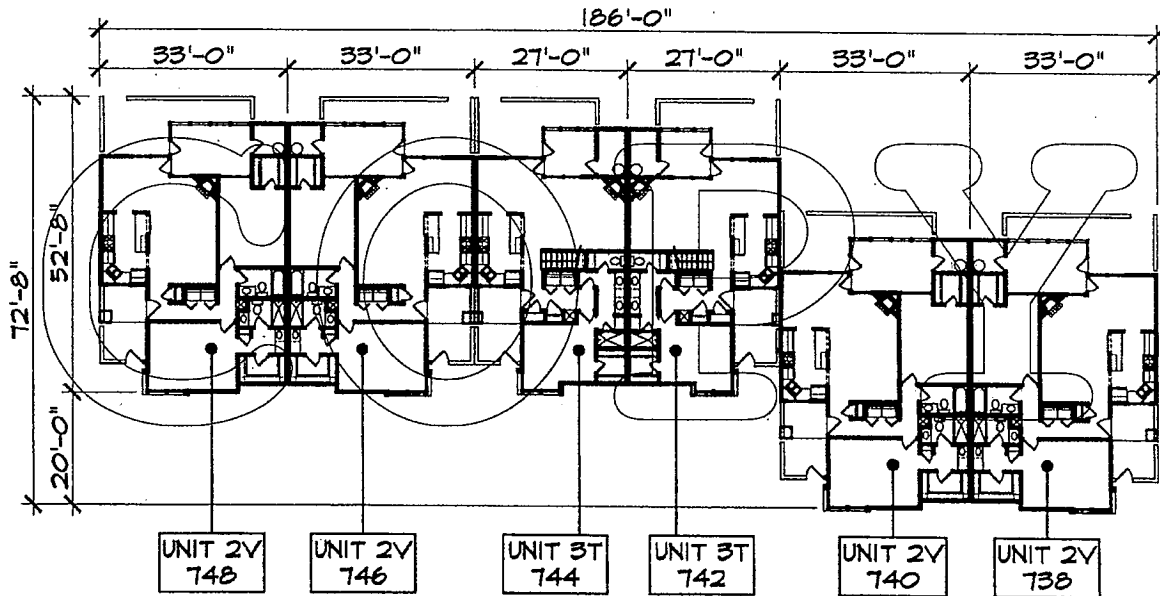
EXHIBIT:

SHEET:

Summer House in Old Ponte Vedra Condominium

Ponte Vedra, Florida

COPY



COPY

PHASE ONE BUILDING 4 FIRST FLOOR PLAN

1
A2.7

SCALE: 1" = 30'-0"

ALL DIMENSIONS ARE TO OUTSIDE OF UNIT WALL

PREPARED BY:

Brown Doane Architects, Inc.
1676 Northside Drive NW Suite 360
Atlanta, Georgia 30318
(404) 608-3500

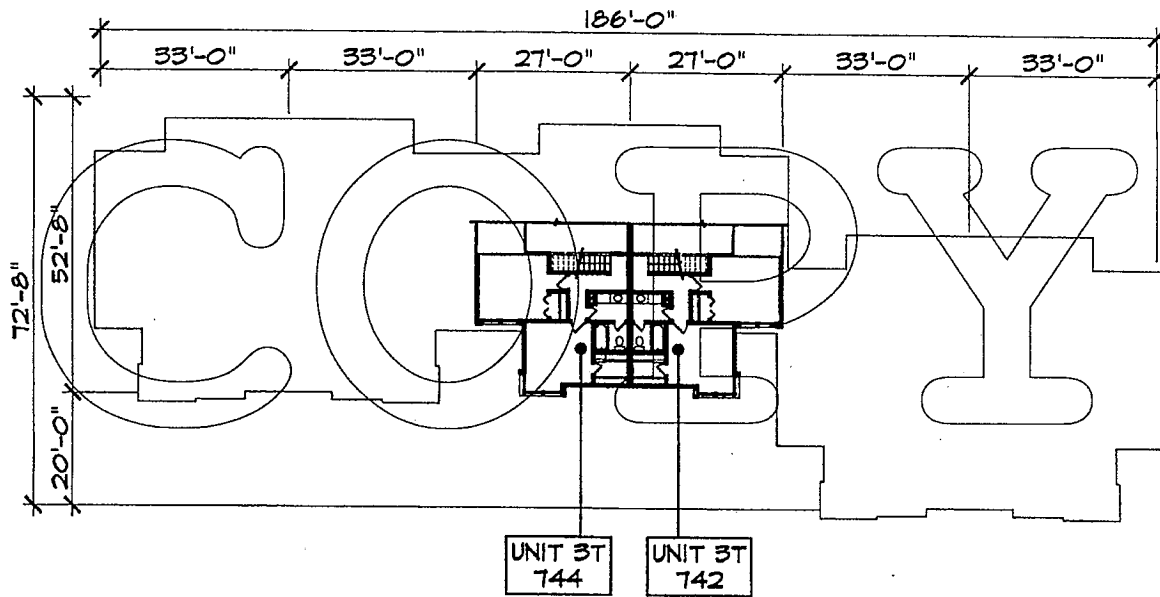
EXHIBIT:

SHEET:

Summer House in Old Ponte Vedra Condominium

Ponte Vedra, Florida

COPY



COPY

PHASE ONE
BUILDING 4 SECOND FLOOR PLAN

1
A2.5

SCALE: 1" = 30'-0"

ALL DIMENSIONS ARE TO OUTSIDE OF UNIT WALL

PREPARED BY:

Brown Doane Architects, Inc.
1875 Northside Drive NW Suite 360
Atlanta, Georgia 30318
(404) 603-3500

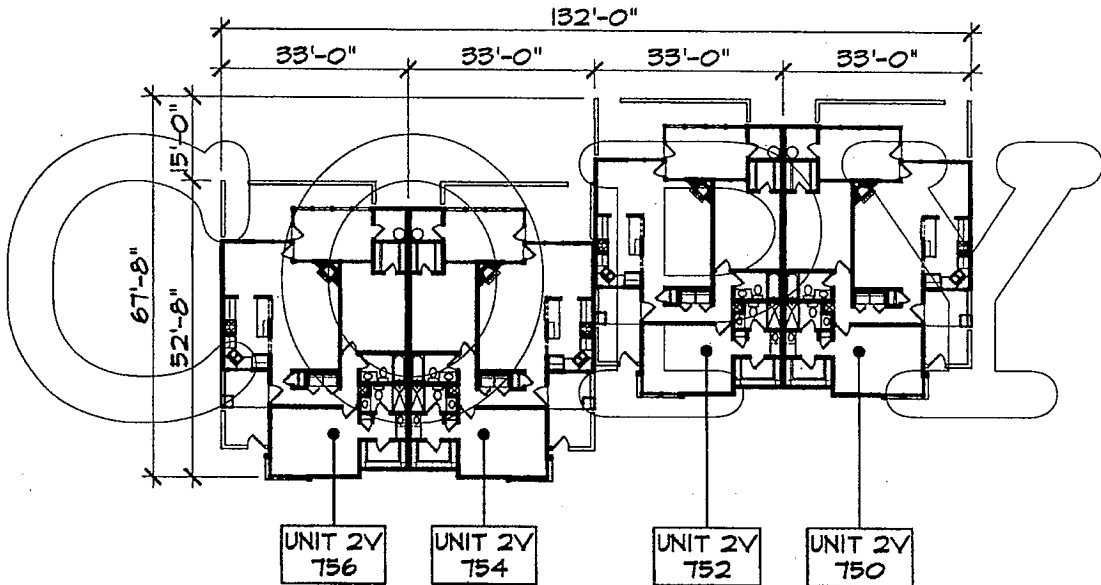
EXHIBIT:

SHEET:

Summer House in Old Ponte Vedra Condominium

Ponte Vedra, Florida

COPY



COPY

PHASE ONE
BUILDING 5 FLOOR PLAN

1
A2.9

SCALE: 1" = 30'-0"

ALL DIMENSIONS ARE TO OUTSIDE OF UNIT WALL

PREPARED BY:

Brown Doane Architects, Inc.
1576 Northside Drive NW Suite 350
Atlanta, Georgia 30318
(404) 603-3500

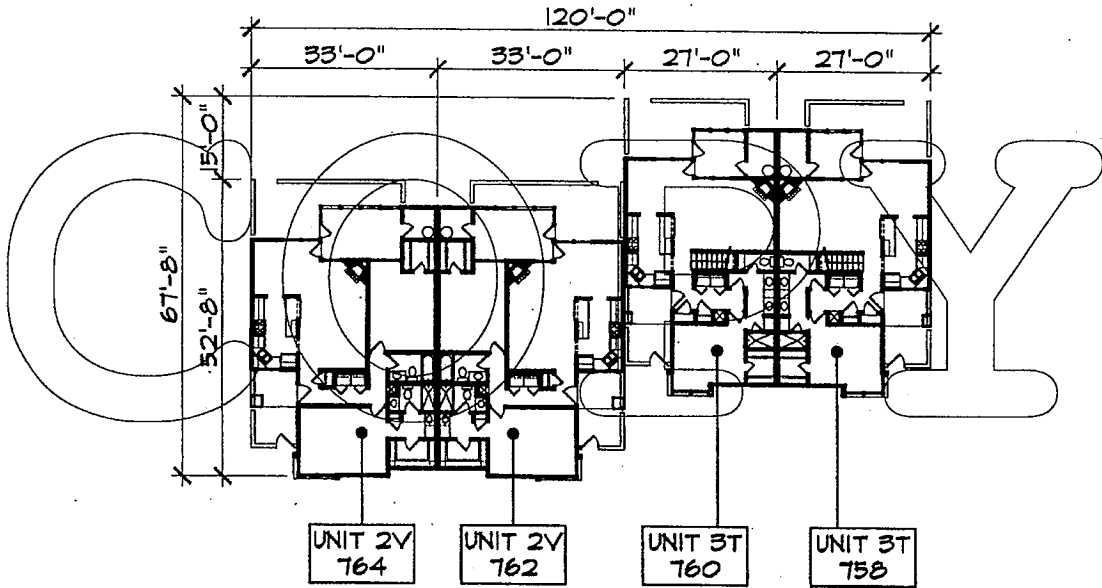
EXHIBIT:

SHEET:

Summer House in Old Ponte Vedra Condominium

Ponte Vedra, Florida

COPY



COPY

PHASE ONE BUILDING 6 FIRST FLOOR PLAN

1
A2.10

SCALE: 1" = 30'-0"

ALL DIMENSIONS ARE TO OUTSIDE OF UNIT WALL

PREPARED BY:
 Brown Deane Architects, Inc.
 1576 Northside Drive NW Suite 350
 Atlanta, Georgia 30316
 (404) 603-3500

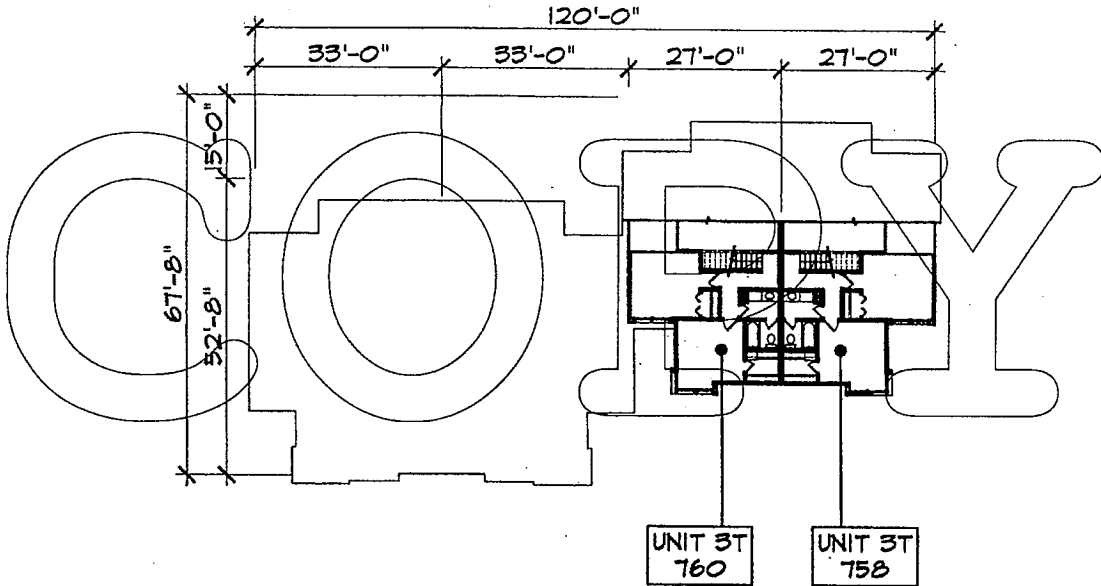
EXHIBIT:

SHEET:

Summer House in Old Ponte Vedra Condominium

Ponte Vedra, Florida

COPY



COPY

PHASE ONE BUILDING 6 SECOND FLOOR PLAN

1
A2.11

SCALE: 1" = 30'-0"

ALL DIMENSIONS ARE TO OUTSIDE OF UNIT WALL

PREPARED BY:

Brown Doane Architects, Inc.
1575 Northside Drive NW Suite 350
Atlanta, Georgia 30318
(404) 608-3500

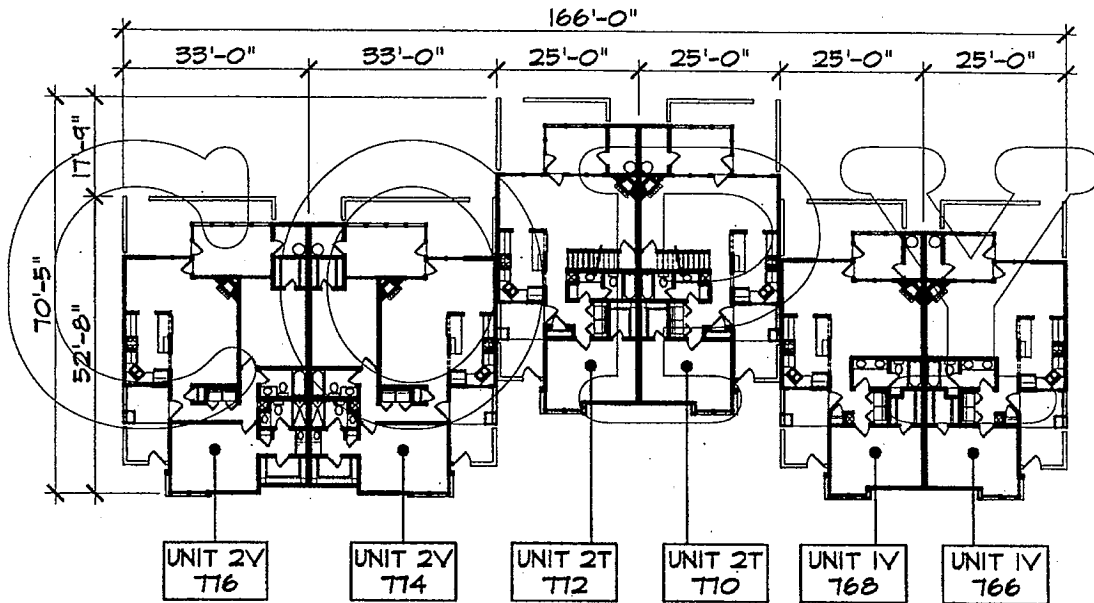
EXHIBIT:

SHEET:

Summer House in Old Ponte Vedra Condominium

Ponte Vedra, Florida

COPY



COPY

PHASE ONE BUILDING T FIRST FLOOR PLAN

1
A2.12

SCALE: 1" = 30'-0"

ALL DIMENSIONS ARE TO OUTSIDE OF UNIT WALL

PREPARED BY:

Brown Doane Architects, Inc.
1575 Northside Drive NW Suite 360
Atlanta, Georgia 30318
(404) 803-3500

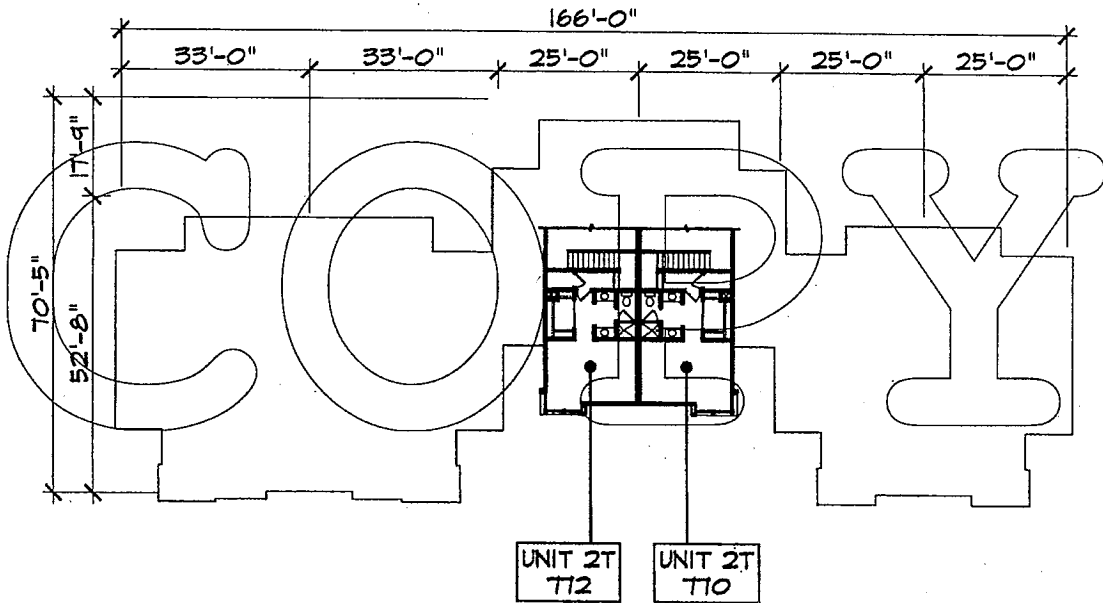
EXHIBIT:

SHEET:

Summer House in Old Ponte Vedra Condominium

Ponte Vedra, Florida

COPY



COPY

PHASE ONE BUILDING 7 SECOND FLOOR PLAN

1
A2.13

SCALE: 1" = 30'-0"

ALL DIMENSIONS ARE TO OUTSIDE OF UNIT WALL

PREPARED BY:

Brown Doane Architects, Inc.
1575 Northside Drive NW Suite 360
Atlanta, Georgia 30316
(404) 603-3500

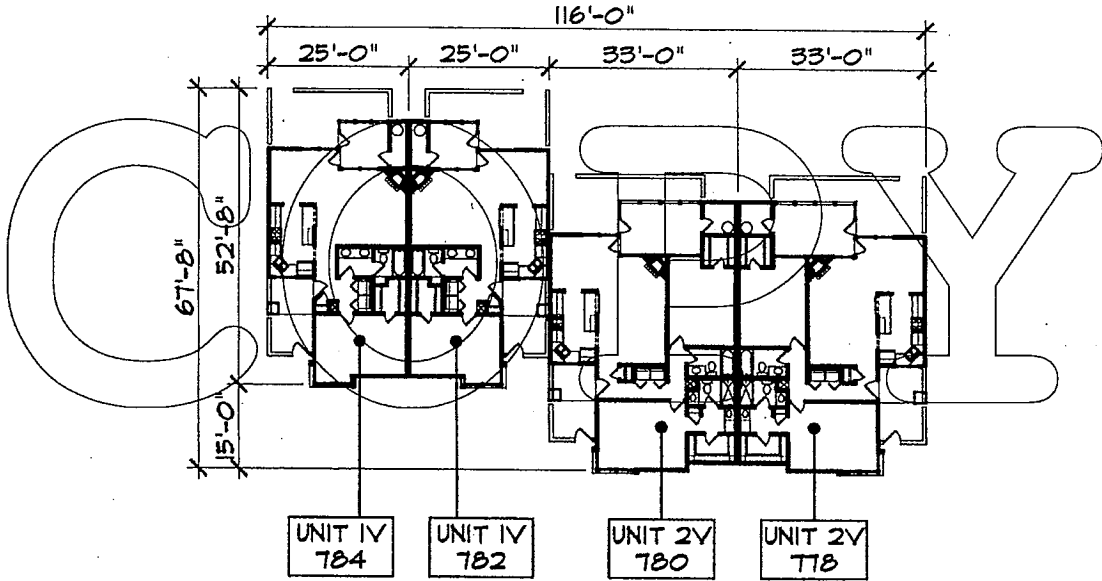
EXHIBIT:

SHEET:

Summer House in Old Ponte Vedra Condominium

Ponte Vedra, Florida

COPY



COPY

PHASE ONE
BUILDING 8 FLOOR PLAN

1
A2.14

SCALE: 1" = 30'-0" ALL DIMENSIONS ARE TO OUTSIDE OF UNIT WALL

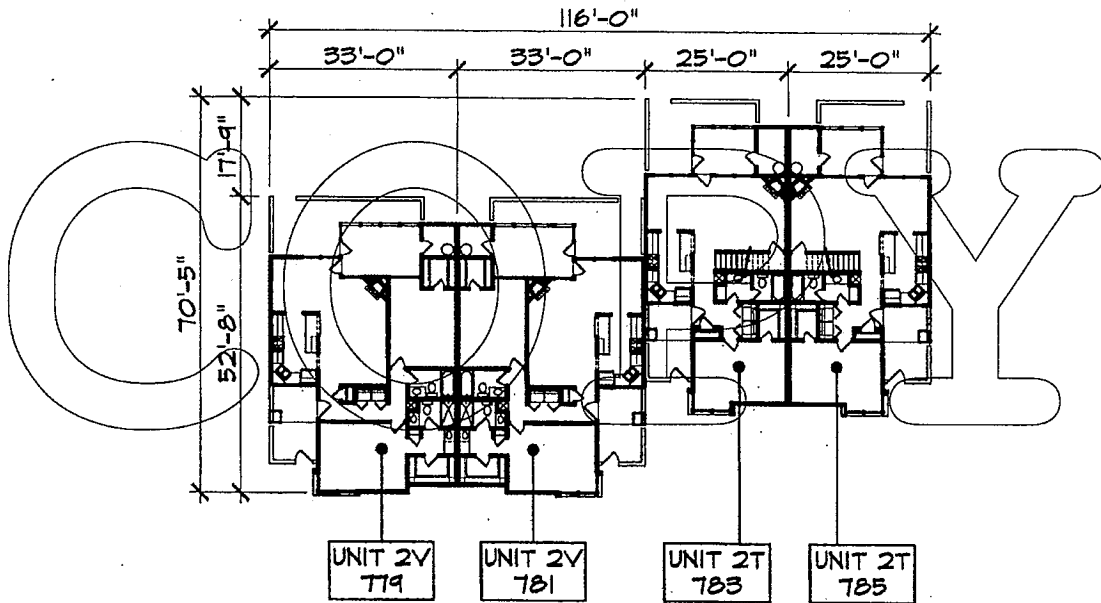
PREPARED BY:
Brown Doane Architects, Inc.
1576 Northside Drive NW Suite 350
Atlanta, Georgia 30316
(404) 603-3500

EXHIBIT: SHEET:

Summer House in Old Ponte Vedra Condominium

Ponte Vedra, Florida

COPY



COPY

PHASE ONE
BUILDING 9 FIRST FLOOR PLAN

1
2.15

SCALE: 1" = 30'-0"

ALL DIMENSIONS ARE TO OUTSIDE OF UNIT WALL

PREPARED BY:

Brown Doane Architects, Inc.
1575 Northside Drive NW Suite 350
Atlanta, Georgia 30318
(404) 603-3500

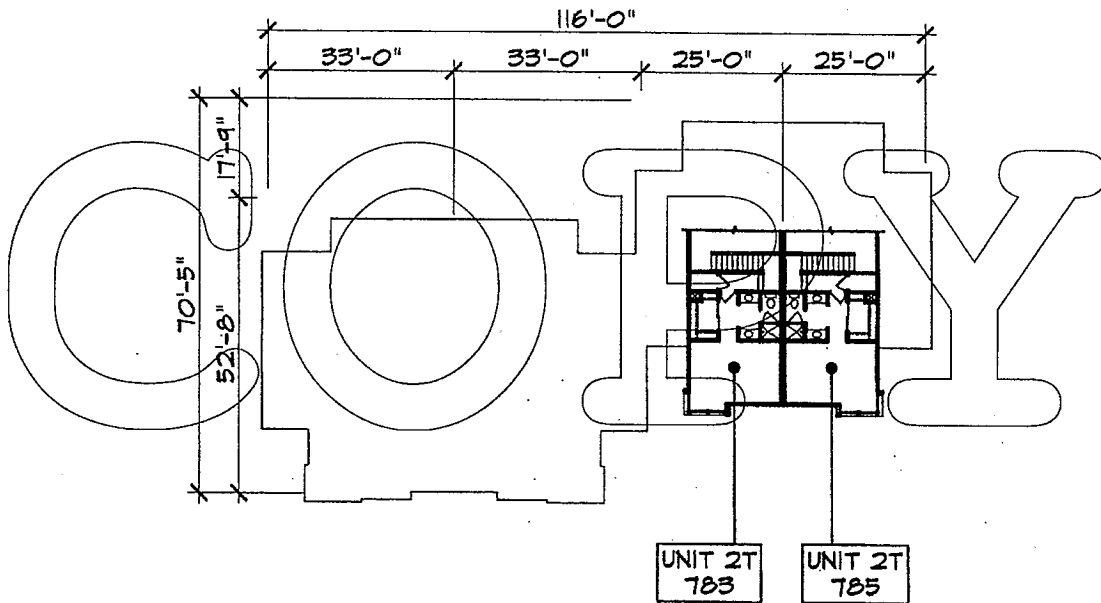
EXHIBIT:

SHEET:

Summer House in Old Ponte Vedra Condominium

Ponte Vedra, Florida

COPY



COPY

PHASE ONE BUILDING 9 SECOND FLOOR PLAN

1
A2.16

SCALE: 1" = 30'-0"

ALL DIMENSIONS ARE TO OUTSIDE OF UNIT WALL

PREPARED BY:

Brown Doane Architects, Inc.
1575 Northside Drive NW Suite 350
Atlanta, Georgia 30318
(404) 603-3500

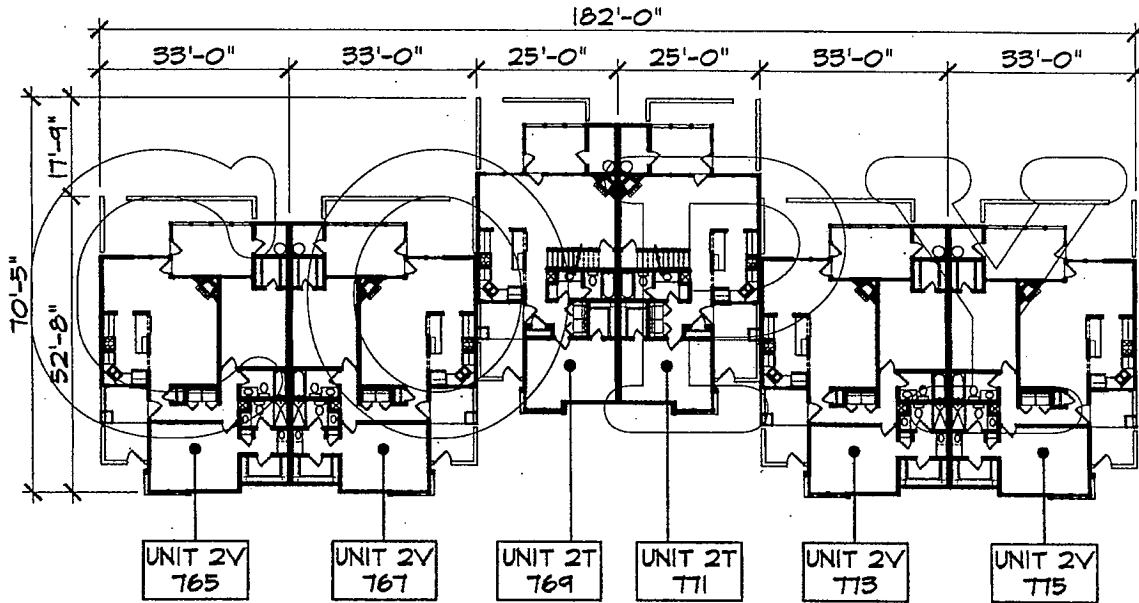
EXHIBIT:

SHEET:

Summer House in Old Ponte Vedra Condominium

Ponte Vedra, Florida

COPY



COPY

PHASE ONE BUILDING 10 FIRST FLOOR PLAN

1
A2.17

SCALE: 1" = 30'-0"

ALL DIMENSIONS ARE TO OUTSIDE OF UNIT WALL

PREPARED BY:

Brown Doane Architects, Inc.
1676 Northside Drive NW Suite 360
Atlanta, Georgia 30318
(404) 608-3600

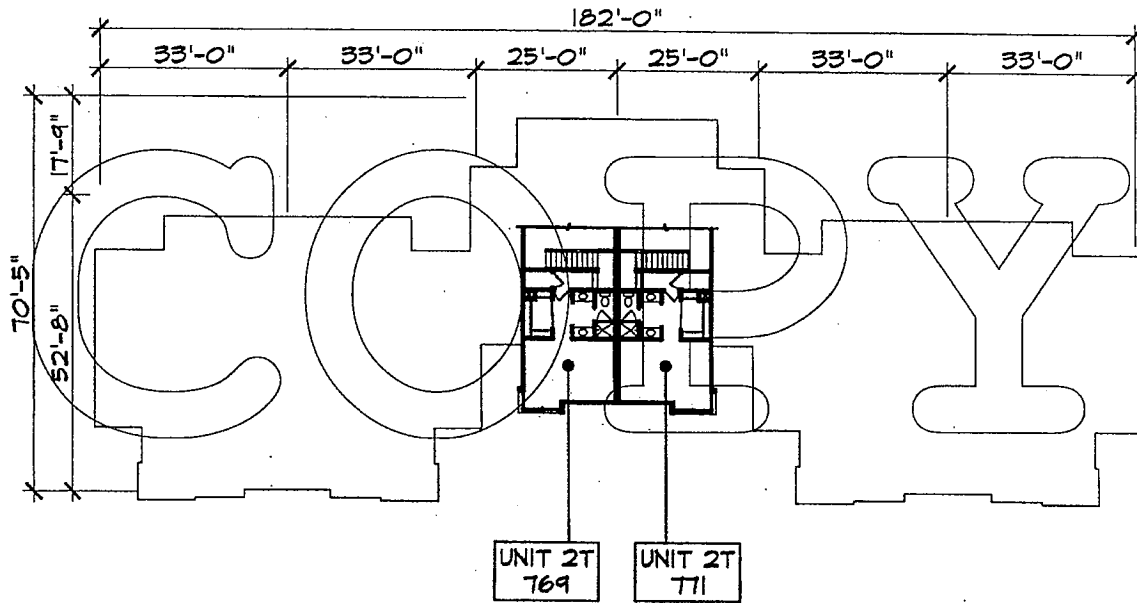
EXHIBIT:

SHEET:

Summer House in Old Ponte Vedra Condominium

Ponte Vedra, Florida

COPY



COPY

PHASE ONE
BUILDING 10 SECOND FLOOR PLN

1
A2.18

SCALE: 1" = 32'-0"

ALL DIMENSIONS ARE TO OUTSIDE OF UNIT WALL

PREPARED BY:

Brown Doane Architects, Inc.
1575 Northside Drive NW Suite 350
Atlanta, Georgia 30316
(404) 603-3500

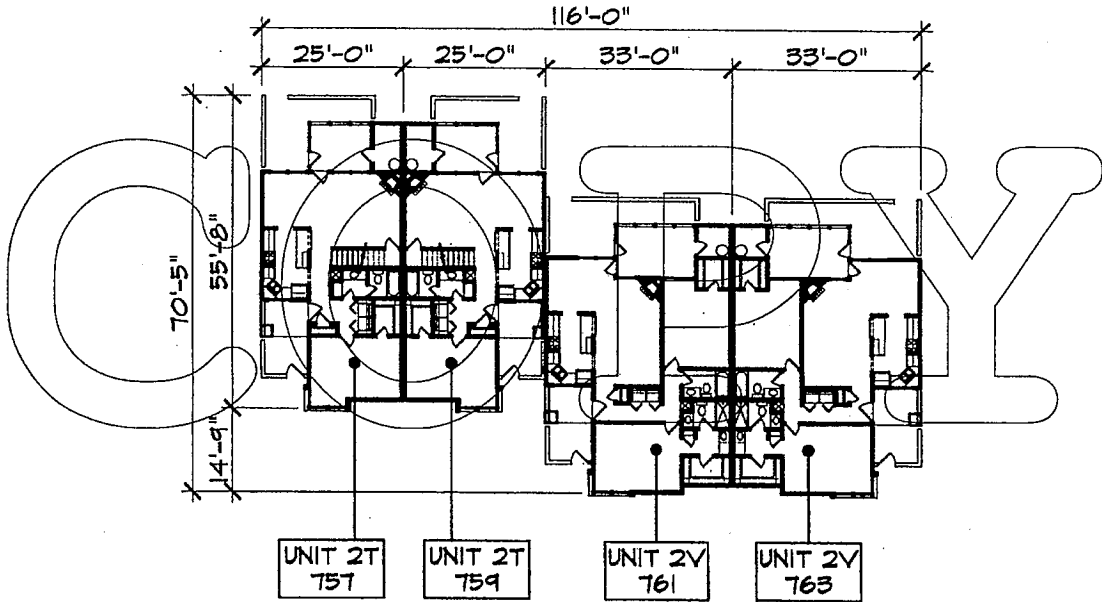
EXHIBIT:

SHEET:

Summer House in Old Ponte Vedra Condominium

Ponte Vedra, Florida

COPY



COPY

PHASE ONE
BUILDING II FIRST FLOOR PLAN

1
X2.19

SCALE: 1" = 30'-0"

ALL DIMENSIONS ARE TO OUTSIDE OF UNIT WALL

PREPARED BY:
Brown Doane Architects, Inc.
1575 Northside Drive NW Suite 350
Atlanta, Georgia 30318
(404) 603-3500

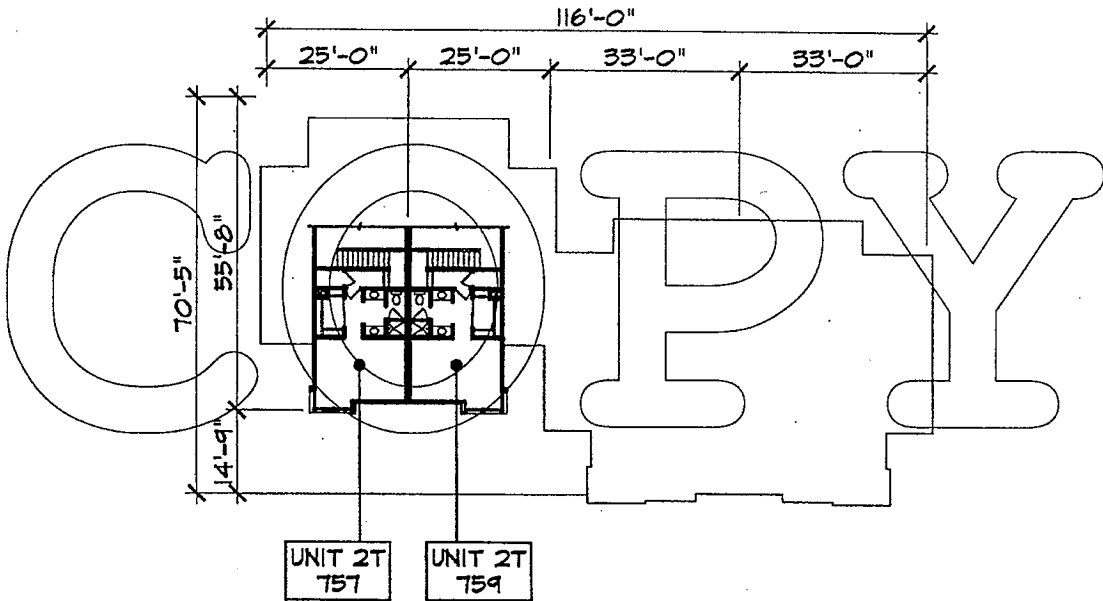
EXHIBIT:

SHEET:

Summer House in Old Ponte Vedra Condominium

Ponte Vedra, Florida

COPY



COPY

PHASE ONE BUILDING II SECOND FLOOR PLAN

1
A2.20

SCALE: 1" = 30'-0"

ALL DIMENSIONS ARE TO OUTSIDE OF UNIT WALL

PREPARED BY:

Brown Doane Architects, Inc.
1575 Northside Drive NW Suite 350
Atlanta, Georgia 30316
(404) 603-3500

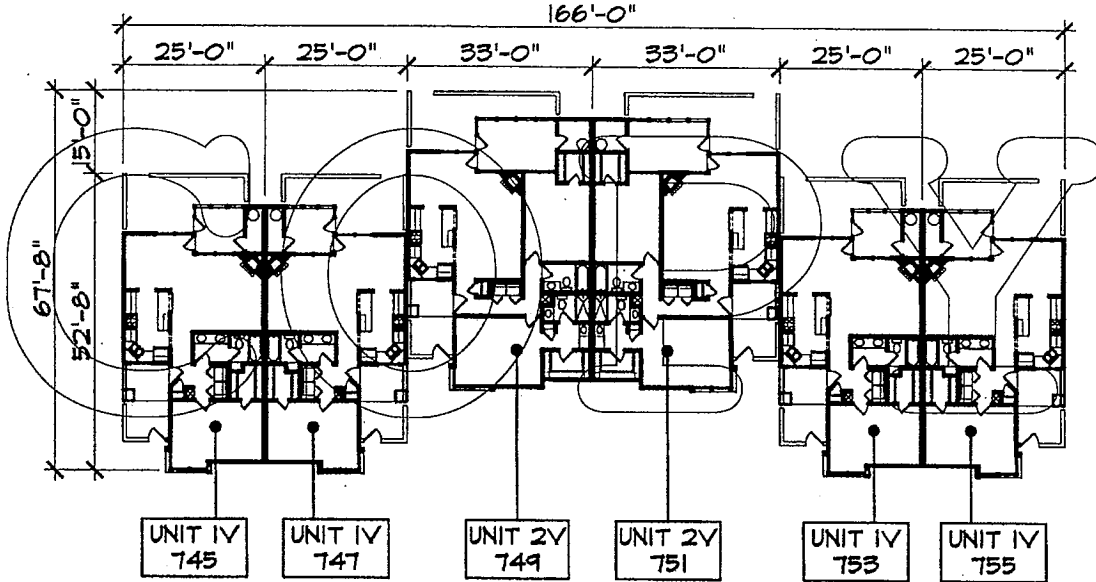
EXHIBIT:

SHEET:

Summer House in Old Ponte Vedra Condominium

Ponte Vedra, Florida

COPY



COPY

PHASE ONE
BUILDING 12 FLOOR PLAN

1
A2.21

SCALE: 1" = 30'-0"

ALL DIMENSIONS ARE TO OUTSIDE OF UNIT WALL

PREPARED BY:

Brown Doane Architects, Inc.
1575 Northside Drive NW Suite 360
Atlanta, Georgia 30316
(404) 503-3500

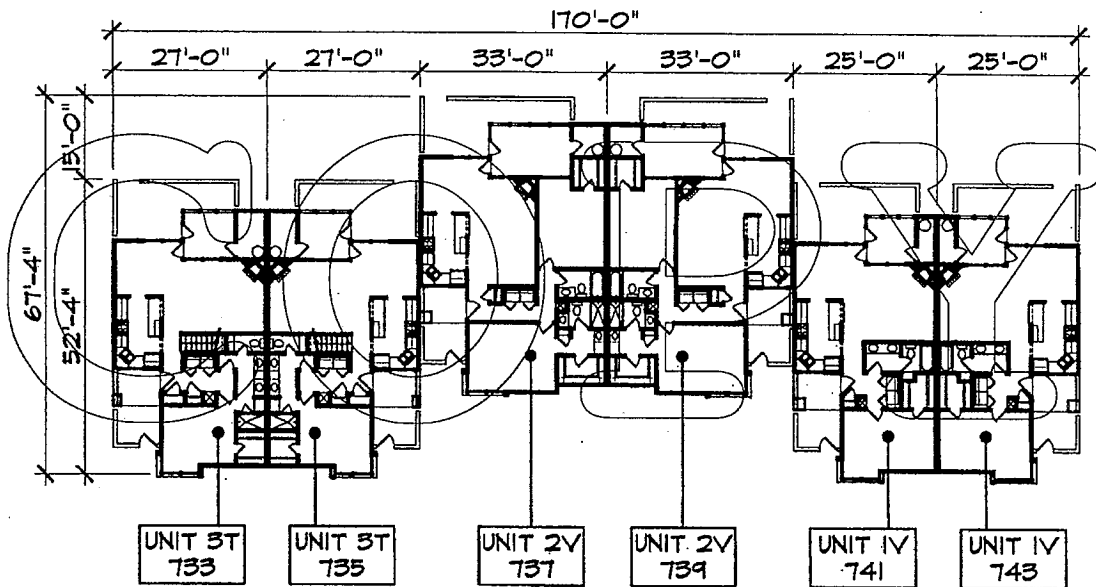
EXHIBIT:

SHEET:

Summer House in Old Ponte Vedra Condominium

Ponte Vedra, Florida

COPY



COPY

PHASE ONE
BUILDING 13 FIRST FLOOR PLAN

1
A2.22

SCALE: 1" = 30'-0"

ALL DIMENSIONS ARE TO OUTSIDE OF UNIT WALL

PREPARED BY:

Brown Doane Architects, Inc.
1575 Northside Drive NW Suite 350
Atlanta, Georgia 30318
(404) 603-3500

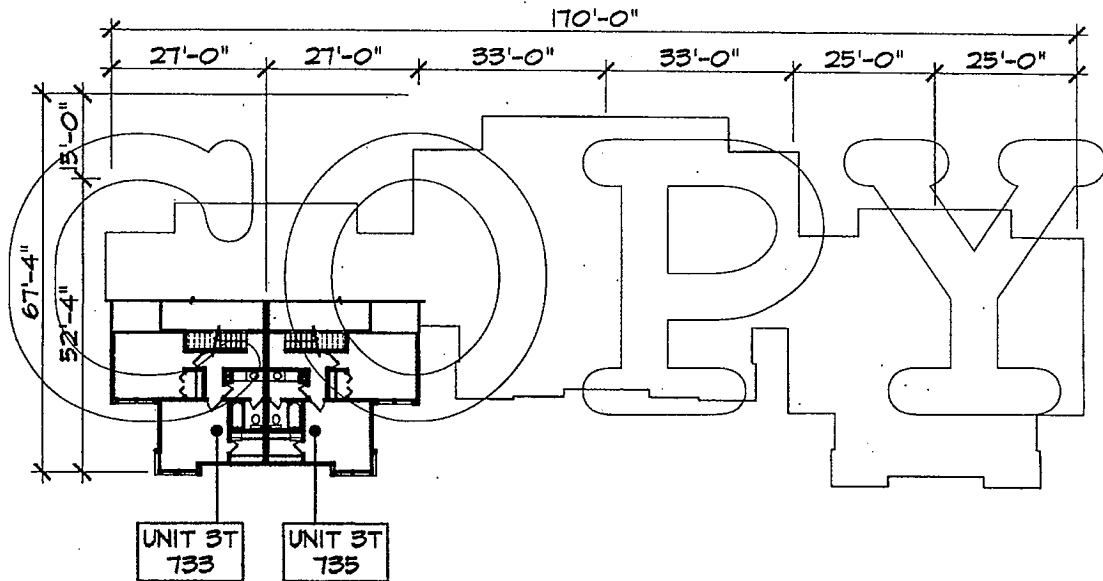
EXHIBIT:

SHEET:

Summer House in Old Ponte Vedra Condominium

Ponte Vedra, Florida

COPY



COPY

PHASE ONE
BUILDING 13 SECOND FLOOR PLAN

1
A2.23

SCALE: 1" = 30'-0"

ALL DIMENSIONS ARE TO OUTSIDE OF UNIT WALL

PREPARED BY:

Brown Doane Architects, Inc.
1576 Northside Drive NW Suite 350
Atlanta, Georgia 30316
(404) 603-3500

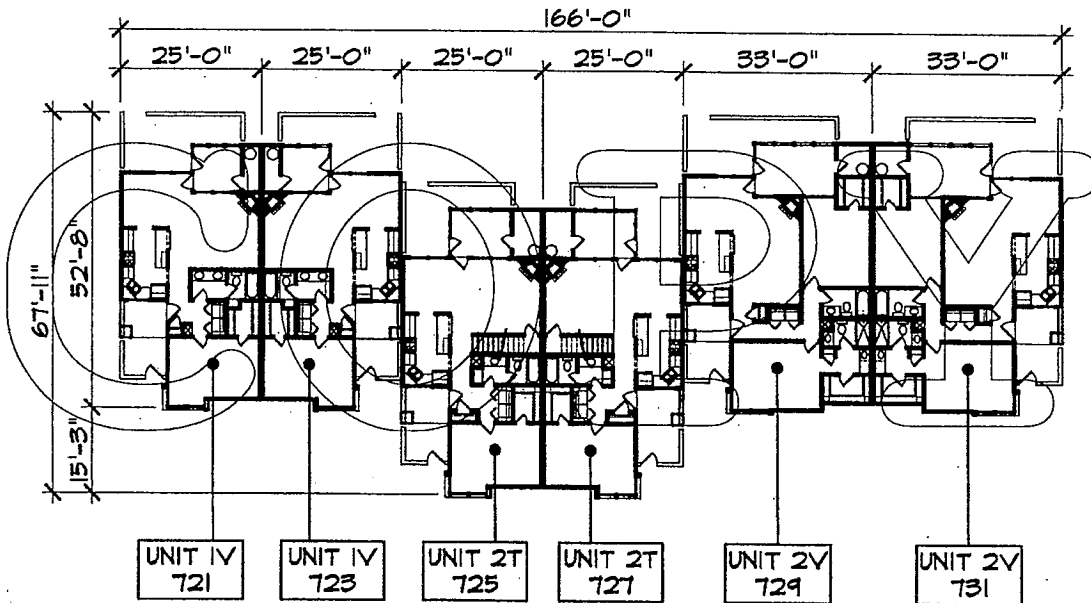
EXHIBIT:

SHEET:

Summer House in Old Ponte Vedra Condominium

Ponte Vedra, Florida

COPY



COPY

PHASE ONE
BUILDING 14 FIRST FLOOR PLAN

1
A2.24

SCALE: 1" = 30'-0"

ALL DIMENSIONS ARE TO OUTSIDE OF UNIT WALL

PREPARED BY:

Brown Doane Architects, Inc.
1575 Northside Drive NW Suite 350
Atlanta, Georgia 30318
(404) 603-3500

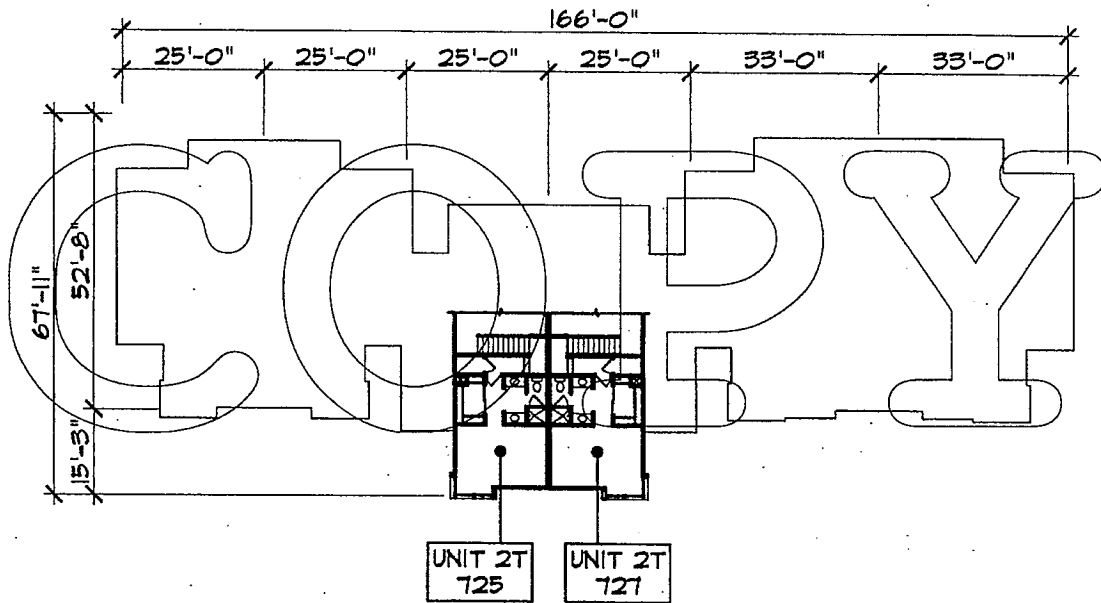
EXHIBIT:

SHEET:

Summer House in Old Ponte Vedra Condominium

Ponte Vedra, Florida

COPY



COPY

PHASE ONE
BUILDING 14 SECOND FLOOR PLAN

1
A2.25

SCALE: 1" = 30'-0"

ALL DIMENSIONS ARE TO OUTSIDE OF UNIT WALL

PREPARED BY:

Brown Doane Architects, Inc.
1575 Northside Drive NW Suite 360
Atlanta, Georgia 30316
(404) 603-3500

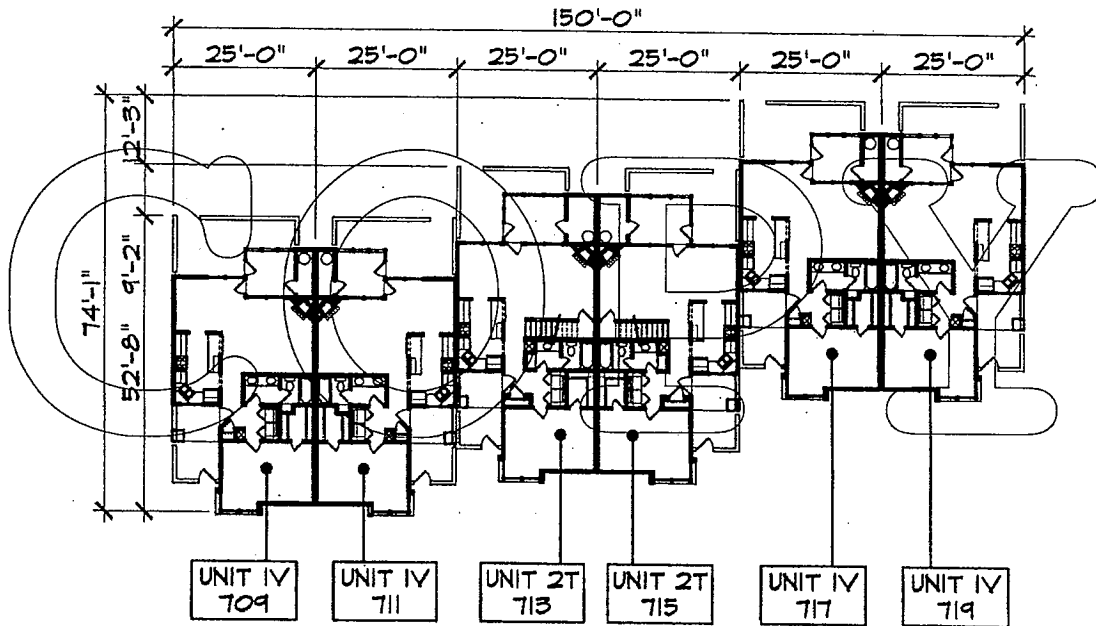
EXHIBIT:

SHEET:

Summer House in Old Ponte Vedra Condominium

Ponte Vedra, Florida

COPY



COPY

PHASE ONE BUILDING 15 FIRST FLOOR PLAN

1
A2.25

SCALE: 1" = 30'-0"

ALL DIMENSIONS ARE TO OUTSIDE OF UNIT WALL

PREPARED BY:

Brown Doane Architects, Inc.
1675 Northside Drive NW Suite 360
Atlanta, Georgia 30316
(404) 605-3600

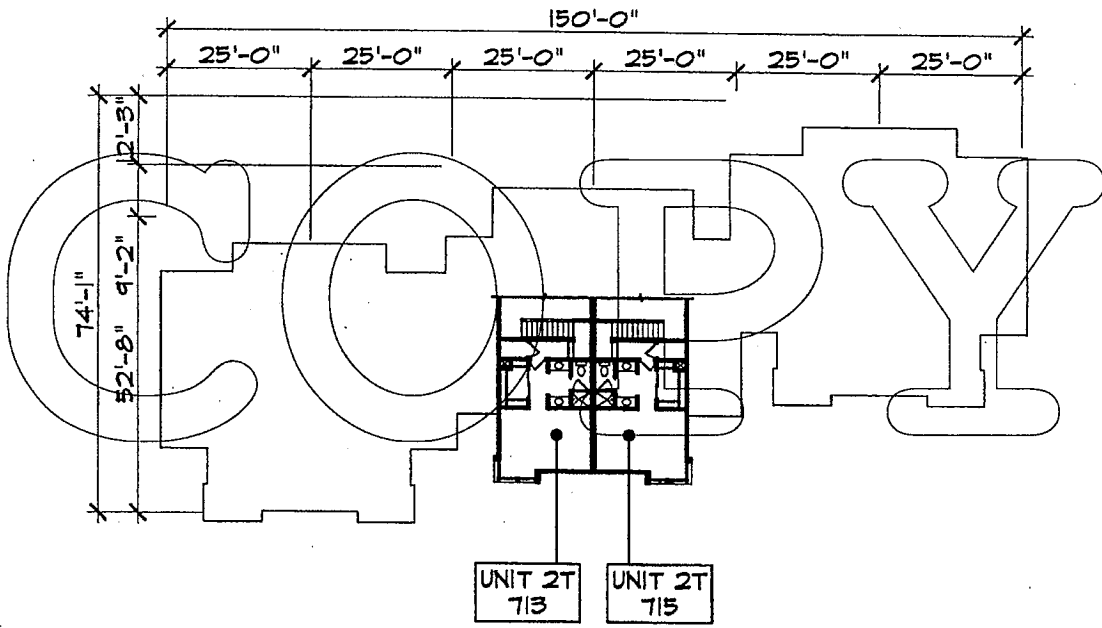
EXHIBIT:

SHEET:

Summer House in Old Ponte Vedra Condominium

Ponte Vedra, Florida

COPY



COPY

PHASE ONE
BUILDING 15 SECOND FLOOR PLAN

1
2.27

SCALE: 1" = 30'-0" ALL DIMENSIONS ARE TO OUTSIDE OF UNIT WALL

PREPARED BY:
Brown Doane Architects, Inc.
1576 Northside Drive NW Suite 350
Atlanta, Georgia 30318
(404) 603-3500

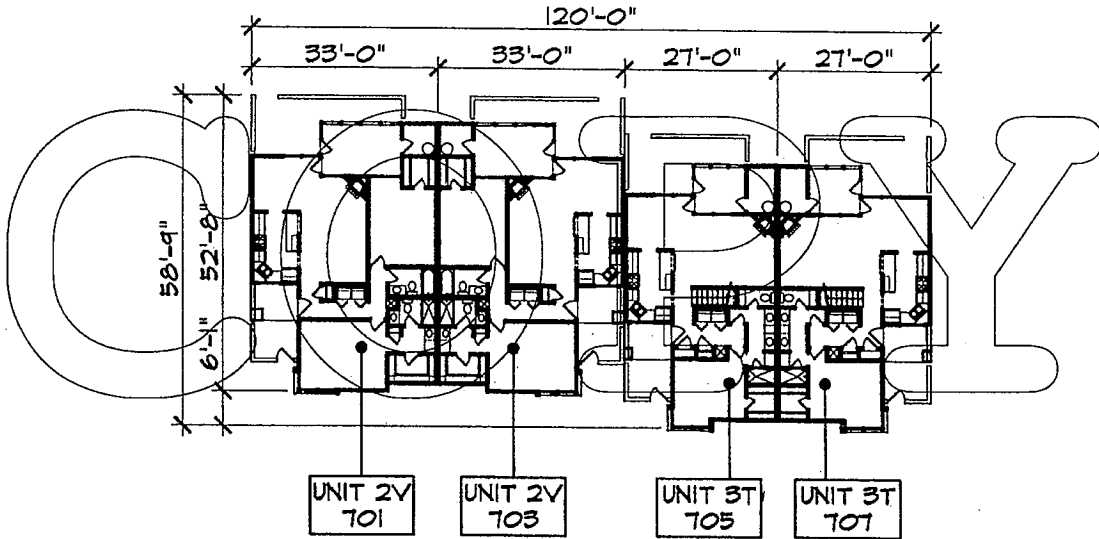
EXHIBIT:

SHEET:

Summer House in Old Ponte Vedra Condominium

Ponte Vedra, Florida

COPY



COPY

PHASE ONE BUILDING 16 FIRST FLOOR PLAN

1
A2.28

SCALE: 1" = 30'-0"

ALL DIMENSIONS ARE TO OUTSIDE OF UNIT WALL

PREPARED BY:

Brown Doane Architects, Inc.
1575 Northside Drive NW Suite 350
Atlanta, Georgia 30316
(404) 503-3500

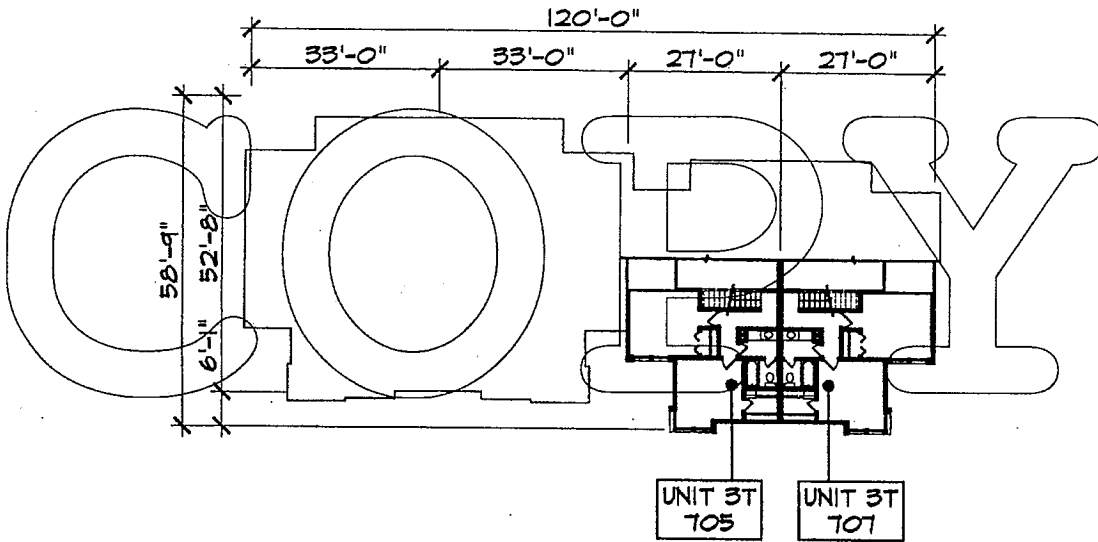
EXHIBIT:

SHEET:

Summer House in Old Ponte Vedra Condominium

Ponte Vedra, Florida

COPY



COPY

PHASE ONE BUILDING 16 SECOND FLOOR PLAN

1
A2.29

SCALE: 1" = 30'-0"

ALL DIMENSIONS ARE TO OUTSIDE OF UNIT WALL

PREPARED BY:

Brown Doane Architects, Inc.
1575 Northside Drive NW Suite 350
Atlanta, Georgia 30318
(404) 603-3500

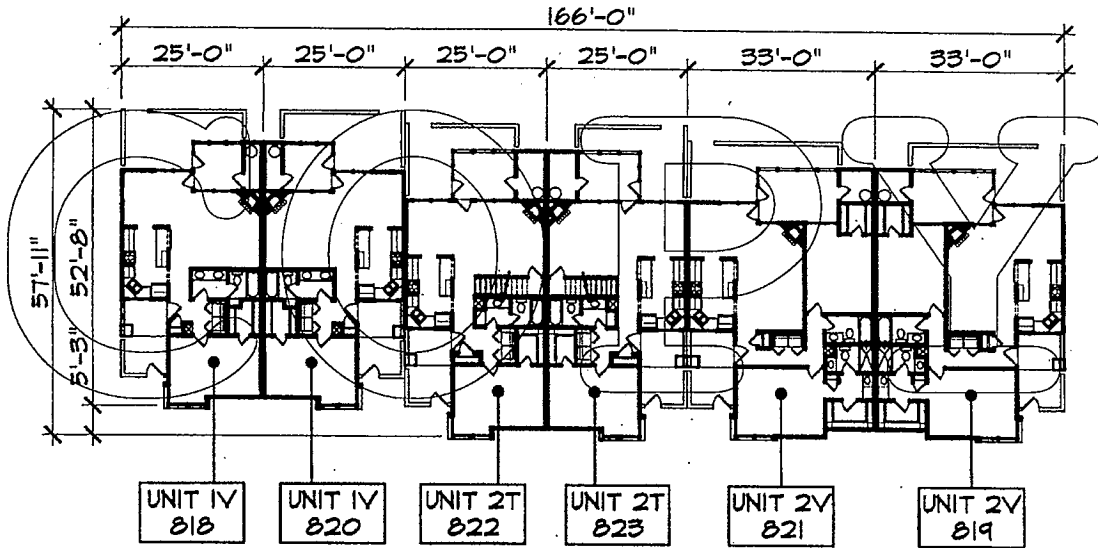
EXHIBIT:

SHEET:

Summer House in Old Ponte Vedra Condominium

Ponte Vedra, Florida

COPY



COPY

PHASE ONE BUILDING II FIRST FLOOR PLAN

1
A2.30

SCALE: 1" = 30'-0"

ALL DIMENSIONS ARE TO OUTSIDE OF UNIT WALL

PREPARED BY:

Brown Doane Architects, Inc.
1575 Northside Drive NW Suite 350
Atlanta, Georgia 30318
(404) 805-3500

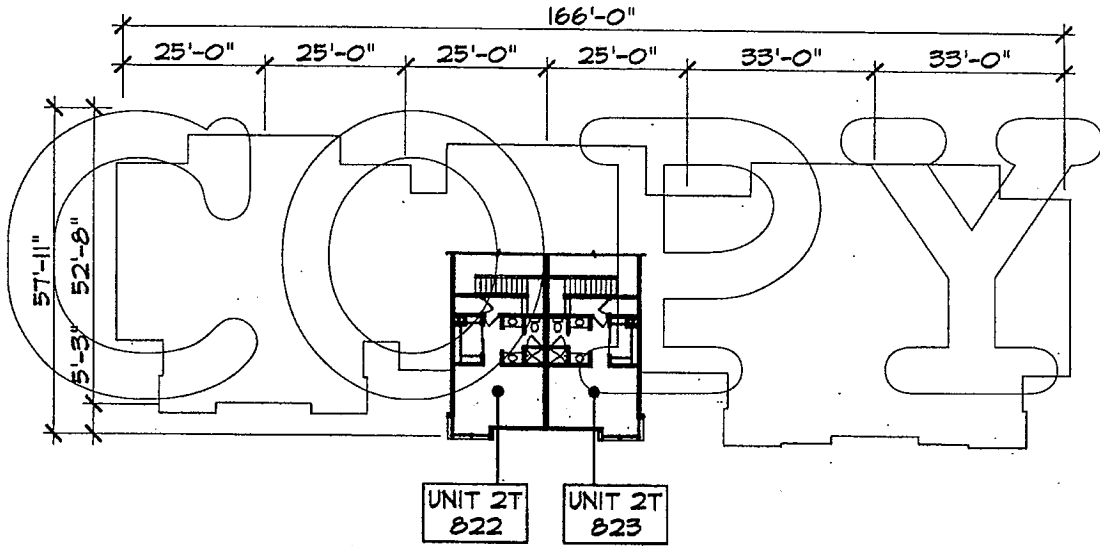
EXHIBIT:

SHEET:

Summer House in Old Ponte Vedra Condominium

Ponte Vedra, Florida

COPY



COPY

PHASE ONE BUILDING T1 SECOND FLOOR PLAN

1
A2.31

SCALE: 1" = 30'-0"

ALL DIMENSIONS ARE TO OUTSIDE OF UNIT WALL

PREPARED BY:

Brown Doane Architects, Inc.
1576 Northside Drive NW Suite 360
Atlanta, Georgia 30318
(404) 603-3500

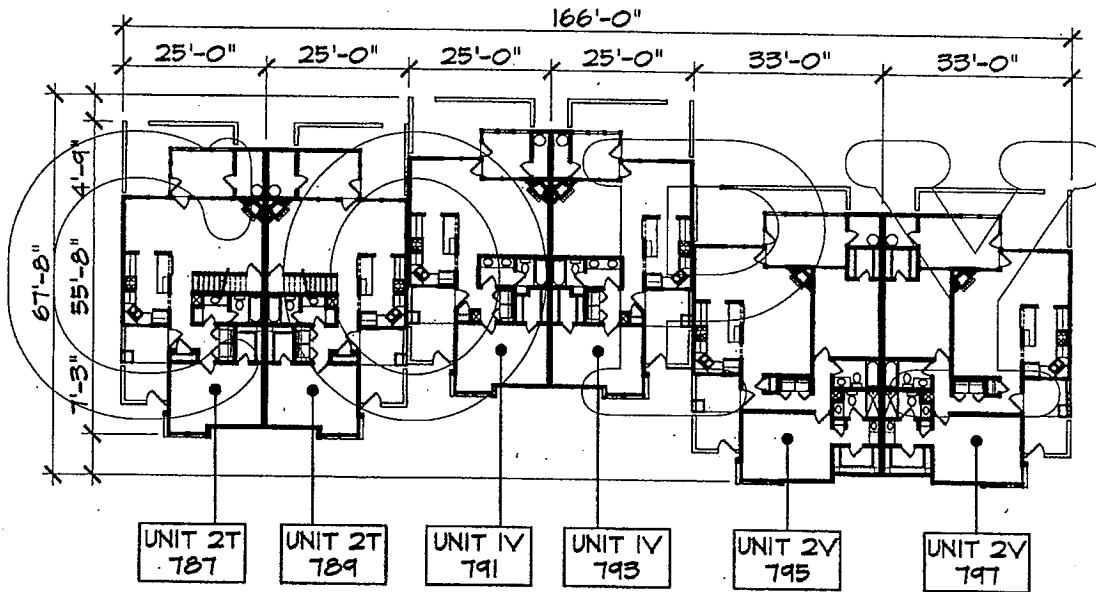
EXHIBIT:

SHEET:

Summer House in Old Ponte Vedra Condominium

Ponte Vedra, Florida

COPY



COPY

PHASE ONE BUILDING 18 FIRST FLOOR PLAN

1
A2.32

SCALE: 1" = 30'-0"

ALL DIMENSIONS ARE TO OUTSIDE OF UNIT WALL

PREPARED BY:

Brown Doane Architects, Inc.
1575 Northside Drive NW Suite 350
Atlanta, Georgia 30316
(404) 603-3500

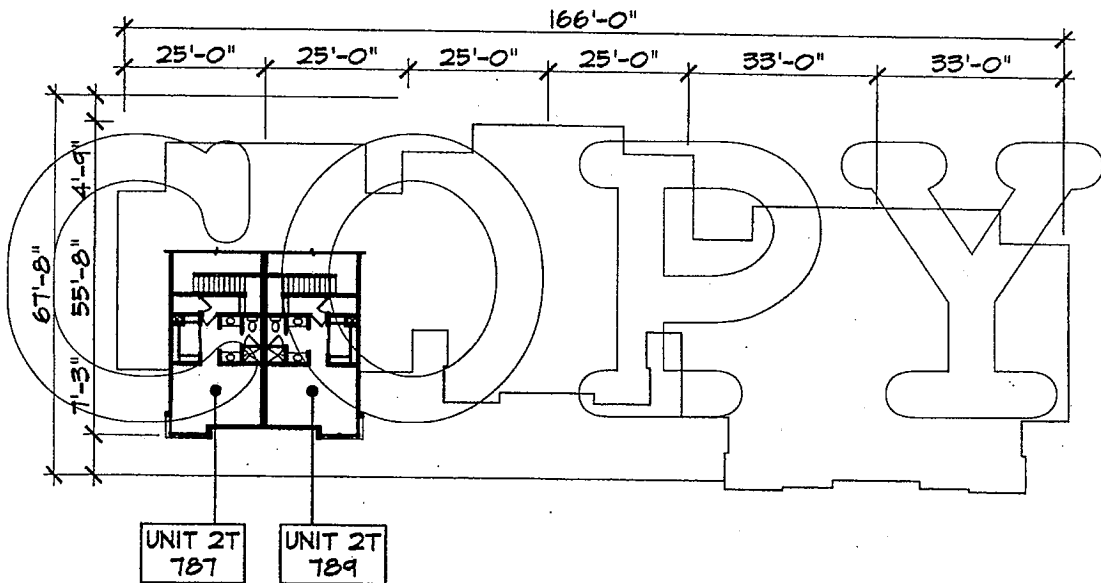
EXHIBIT:

SHEET:

Summer House in Old Ponte Vedra Condominium

Ponte Vedra, Florida

COPY



COPY

PHASE ONE BUILDING 18 SECOND FLOOR PLAN

1
A2.33

SCALE: 1" = 30'-0"

ALL DIMENSIONS ARE TO OUTSIDE OF UNIT WALL

PREPARED BY:

Brown Doans Architects, Inc.
1576 Northside Drive NW Suite 350
Atlanta, Georgia 30316
(404) 803-3500

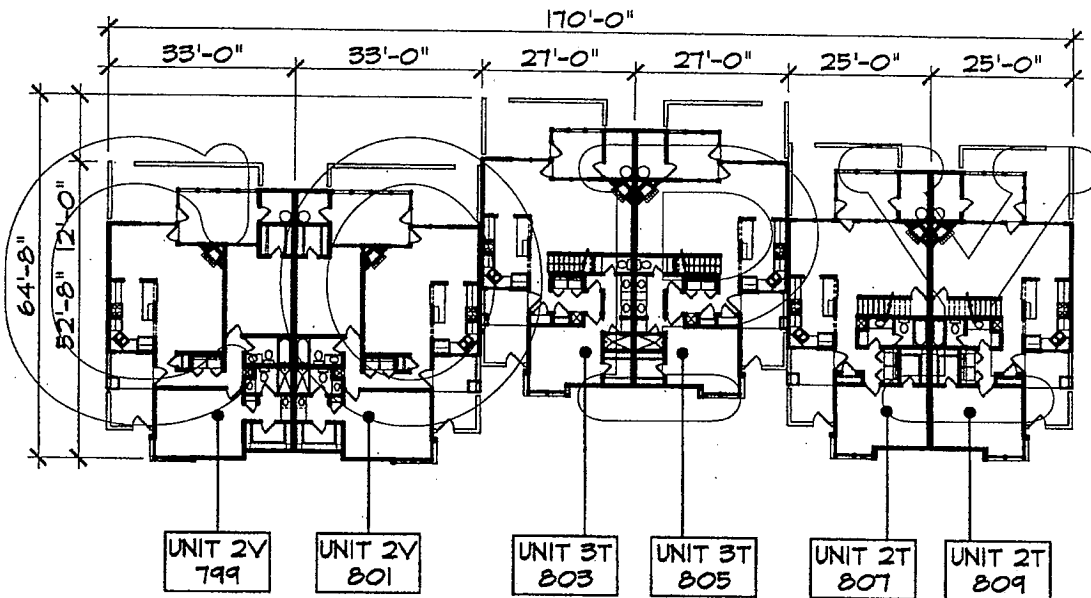
EXHIBIT:

SHEET:

Summer House in Old Ponte Vedra Condominium

Ponte Vedra, Florida

COPY



COPY

PHASE ONE BUILDING 19 FIRST FLOOR PLAN

1
A2.34

SCALE: 1" = 30'-0"

ALL DIMENSIONS ARE TO OUTSIDE OF UNIT WALL

PREPARED BY:

Brown Doane Architects, Inc.
1875 Northside Drive NW Suite 350
Atlanta, Georgia 30318
(404) 808-3500

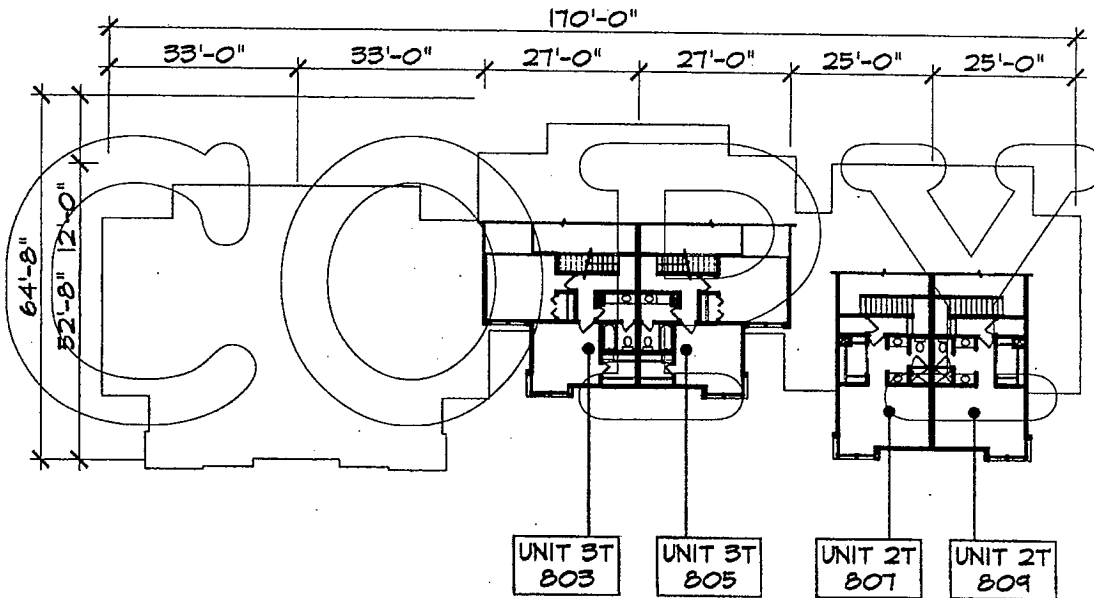
EXHIBIT:

SHEET:

Summer House in Old Ponte Vedra Condominium

Ponte Vedra, Florida

COPY



COPY

PHASE ONE BUILDING 19 SECOND FLOOR PLAN

1
A2.35

SCALE: 1" = 30'-0"

ALL DIMENSIONS ARE TO OUTSIDE OF UNIT WALL

PREPARED BY:

Brown Doane Architects, Inc.
1875 Northside Drive NW Suite 360
Atlanta, Georgia 30318
(404) 803-3500

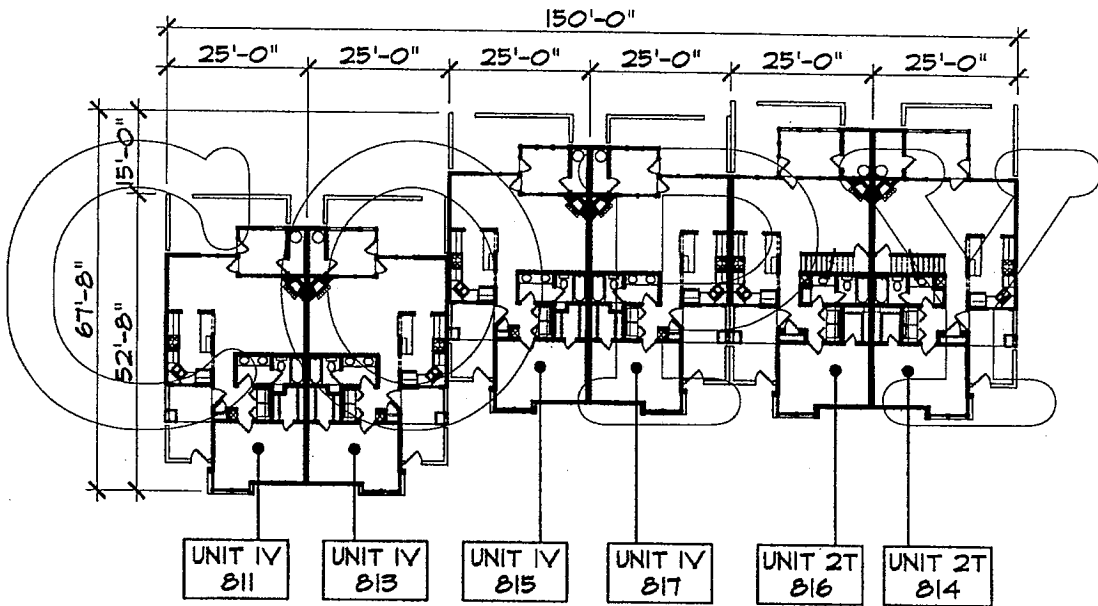
EXHIBIT:

SHEET:

Summer House in Old Ponte Vedra Condominium

Ponte Vedra, Florida

COPY



COPY

PHASE ONE BUILDING 20 FIRST FLOOR PLAN

1
A2.38

SCALE: 1" = 30'-0"

ALL DIMENSIONS ARE TO OUTSIDE OF UNIT WALL

PREPARED BY:

Brown Doane Architects, Inc.
1876 Northside Drive NW Suite 360
Atlanta, Georgia 30318
(404) 603-3600

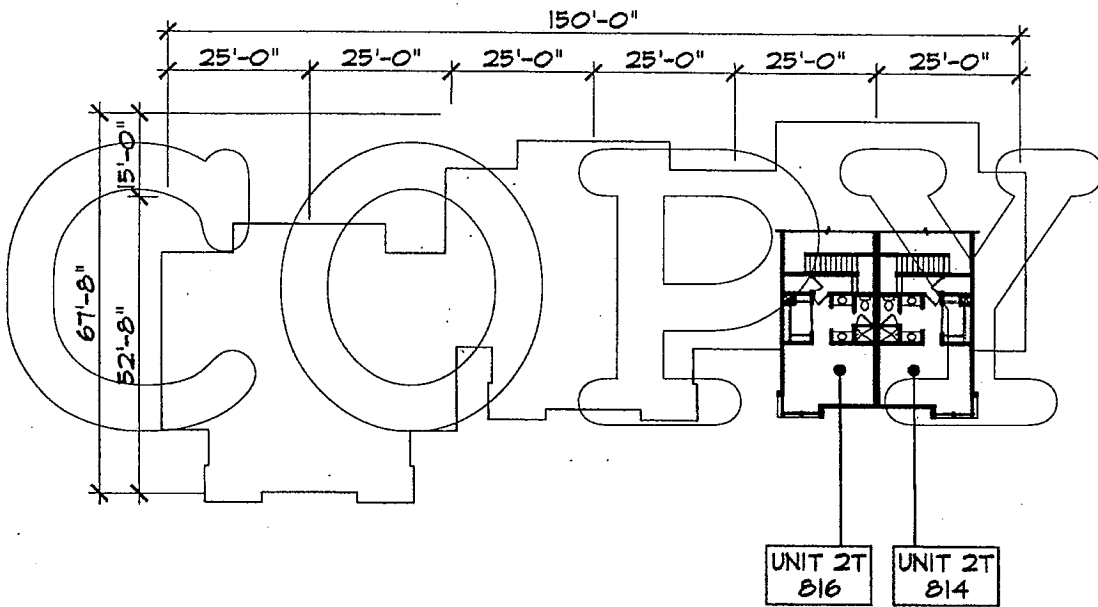
EXHIBIT:

SHEET:

Summer House in Old Ponte Vedra Condominium

Ponte Vedra, Florida

COPY



COPY

PHASE ONE
BUILDING 20 SECOND FLOOR PLAN

1
A2.37

SCALE: 1" = 30'-0"

ALL DIMENSIONS ARE TO OUTSIDE OF UNIT WALL

PREPARED BY:

Brown Doane Architects, Inc.
1576 Northside Drive NW Suite 350
Atlanta, Georgia 30318
(404) 508-3600

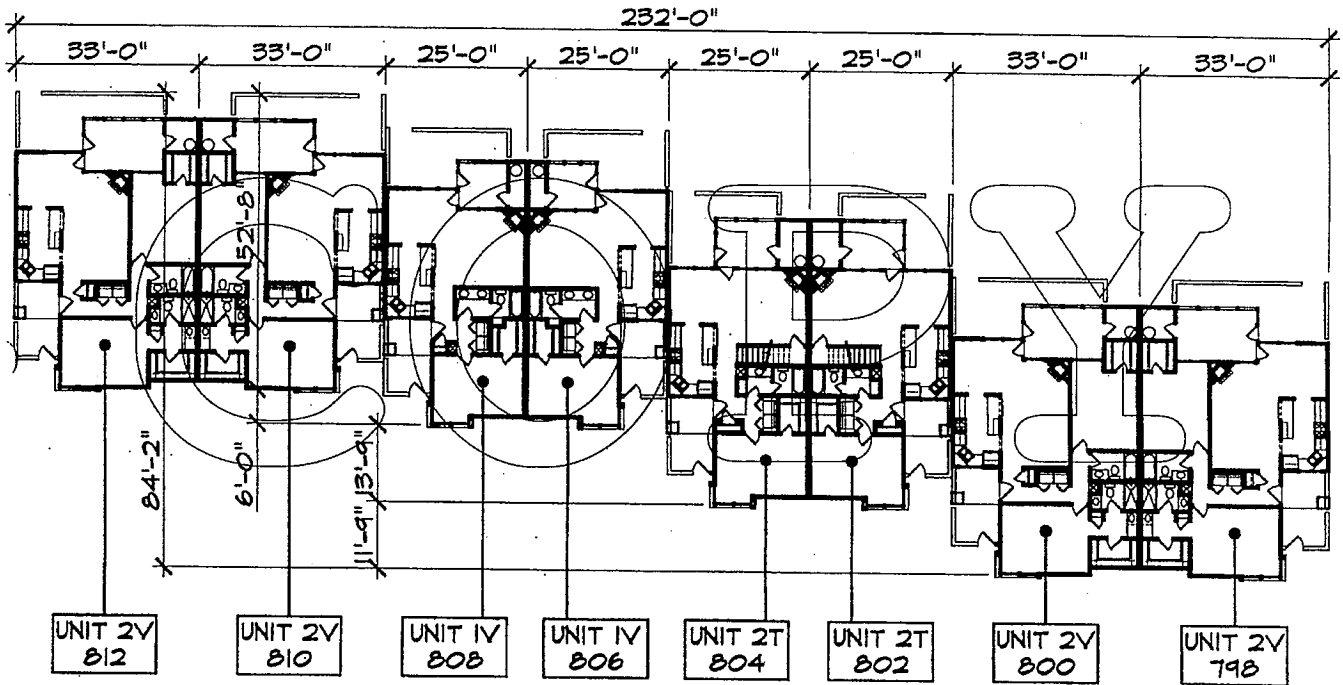
EXHIBIT:

SHEET:

Summer House in Old Ponte Vedra Condominium

Ponte Vedra, Florida

COPY



COPY

PHASE ONE
BUILDING 21 FIRST FLOOR PLAN

1
A2.38

SCALE: 1" = 30'-0"

ALL DIMENSIONS ARE TO OUTSIDE OF UNIT WALL

PREPARED BY:

Brown Doane Architects, Inc.
1575 Northside Drive NW Suite 350
Atlanta, Georgia 30318
(404) 603-3500

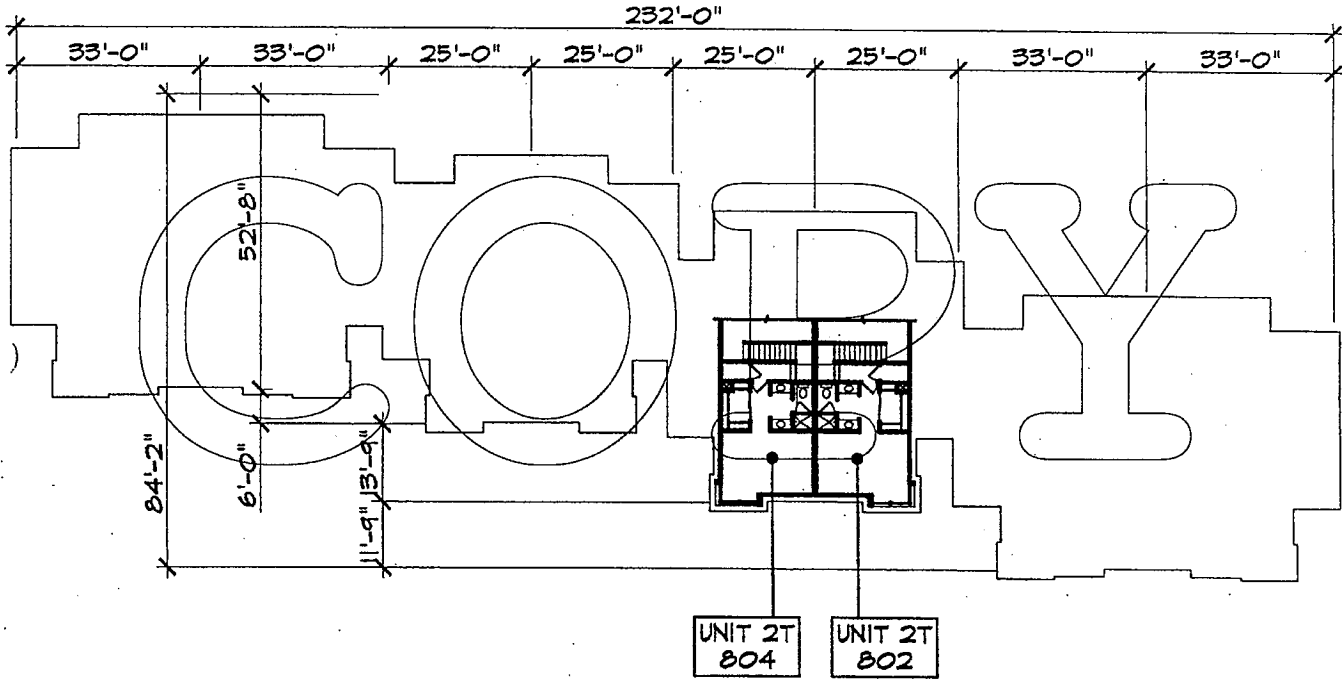
EXHIBIT:

SHEET:

Summer House in Old Ponte Vedra Condominium

Ponte Vedra, Florida

COPY



COPY

PHASE ONE BUILDING 21 SECOND FLOOR PLAN

1
A2.39

SCALE: 1" = 30'-0"

ALL DIMENSIONS ARE TO OUTSIDE OF UNIT WALL

PREPARED BY:

Brown Doane Architects, Inc.
1876 Northside Drive NW Suite 360
Atlanta, Georgia 30318
(404) 603-3500

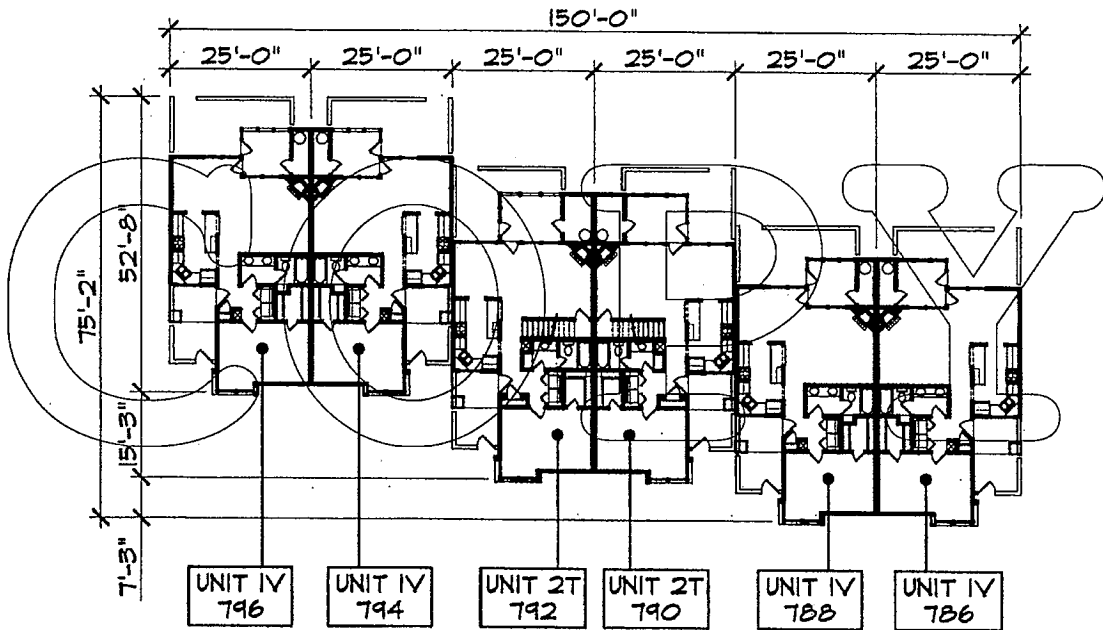
EXHIBIT:

SHEET:

Summer House in Old Ponte Vedra Condominium

Ponte Vedra, Florida

COPY



COPY

PHASE ONE
BUILDING 22 FIRST FLOOR PLAN

1
A2.40

SCALE: 1" = 30'-0"

ALL DIMENSIONS ARE TO OUTSIDE OF UNIT WALL

PREPARED BY:

Brown Doane Architects, Inc.
1575 Northside Drive NW Suite 350
Atlanta, Georgia 30318
(404) 603-3600

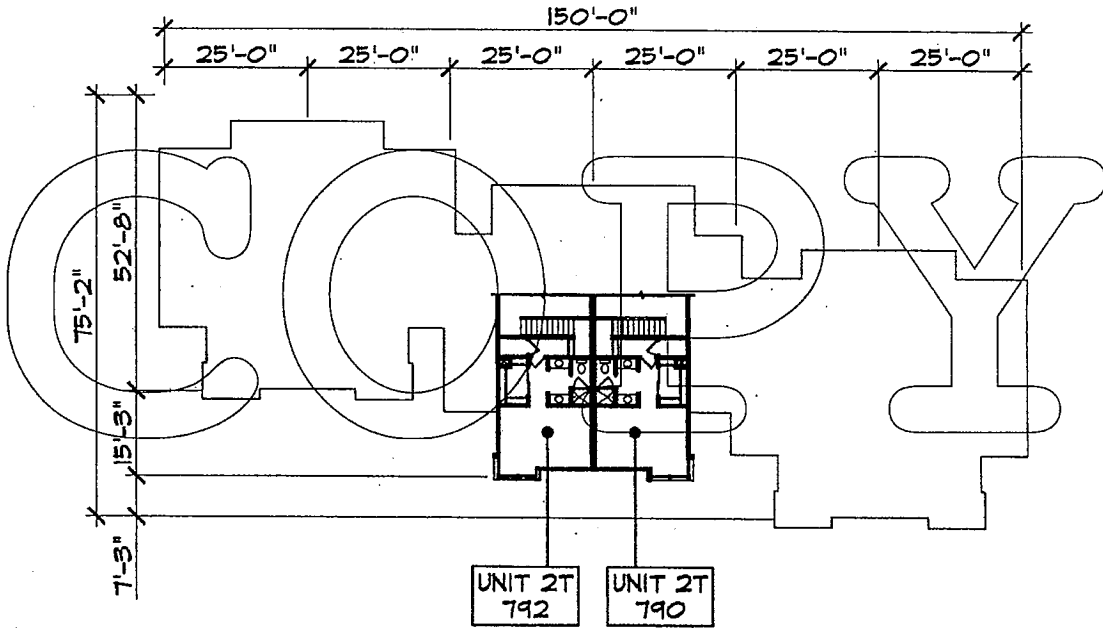
EXHIBIT:

SHEET:

Summer House in Old Ponte Vedra Condominium

Ponte Vedra, Florida

COPY



COPY

PHASE ONE
BUILDING 22 SECOND FLOOR PLN

1
A2.41

SCALE: 1" = 30'-0"

ALL DIMENSIONS ARE TO OUTSIDE OF UNIT WALL

PREPARED BY:

Brown Doane Architects, Inc.
1575 Northside Drive NW Suite 350
Atlanta, Georgia 30318
(404) 803-8500

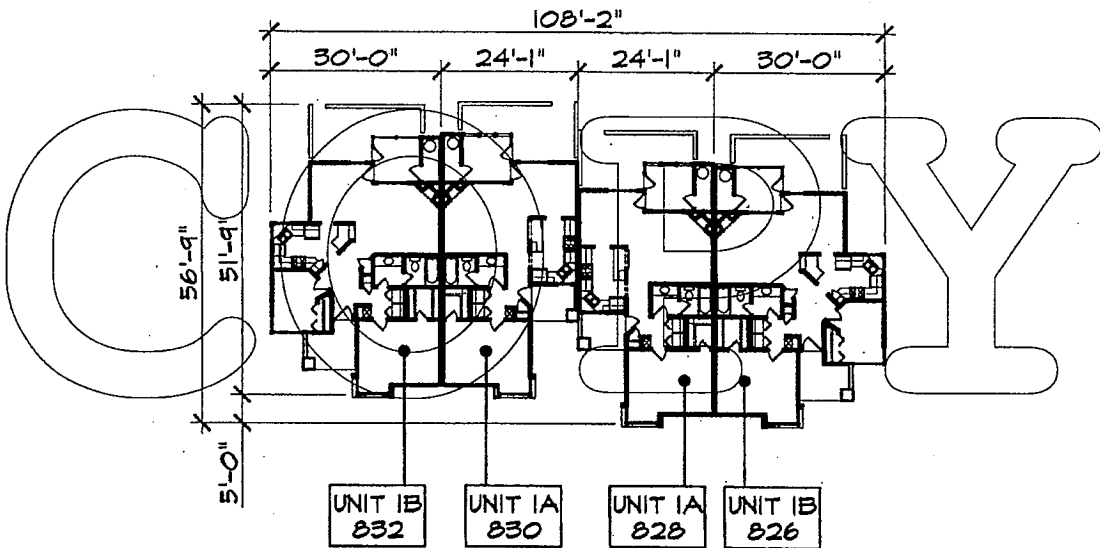
EXHIBIT:

SHEET:

Summer House in Old Ponte Vedra Condominium

Ponte Vedra, Florida

COPY



COPY

PHASE ONE BUILDING 23 FIRST FLOOR PLAN

1
2.42

SCALE: 1" = 30'-0"

ALL DIMENSIONS ARE TO OUTSIDE OF UNIT WALL

PREPARED BY:

Brown Doane Architects, Inc.
1575 Northside Drive NW Suite 350
Atlanta, Georgia 30318
(404) 603-3500

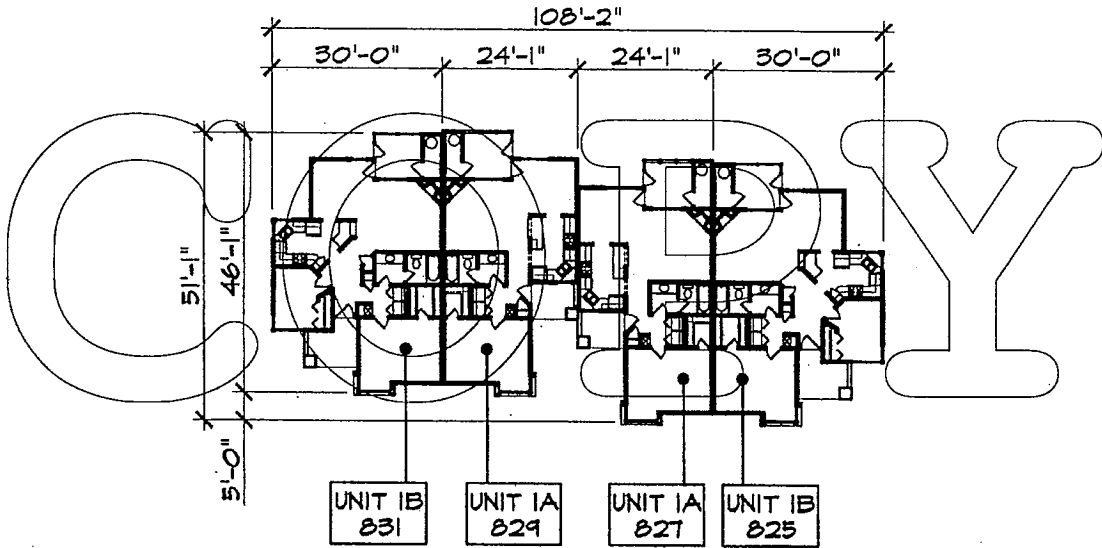
EXHIBIT:

SHEET:

Summer House in Old Ponte Vedra Condominium

Ponte Vedra, Florida

COPY



COPY

PHASE ONE
BUILDING 23 SECOND FLOOR PLAN

1
A2.43

SCALE: 1" = 30'-0"

ALL DIMENSIONS ARE TO OUTSIDE OF UNIT WALL

PREPARED BY:

Brown Deane Architects, Inc.
1576 Northside Drive NW Suite 360
Atlanta, Georgia 30318
(404) 603-3500

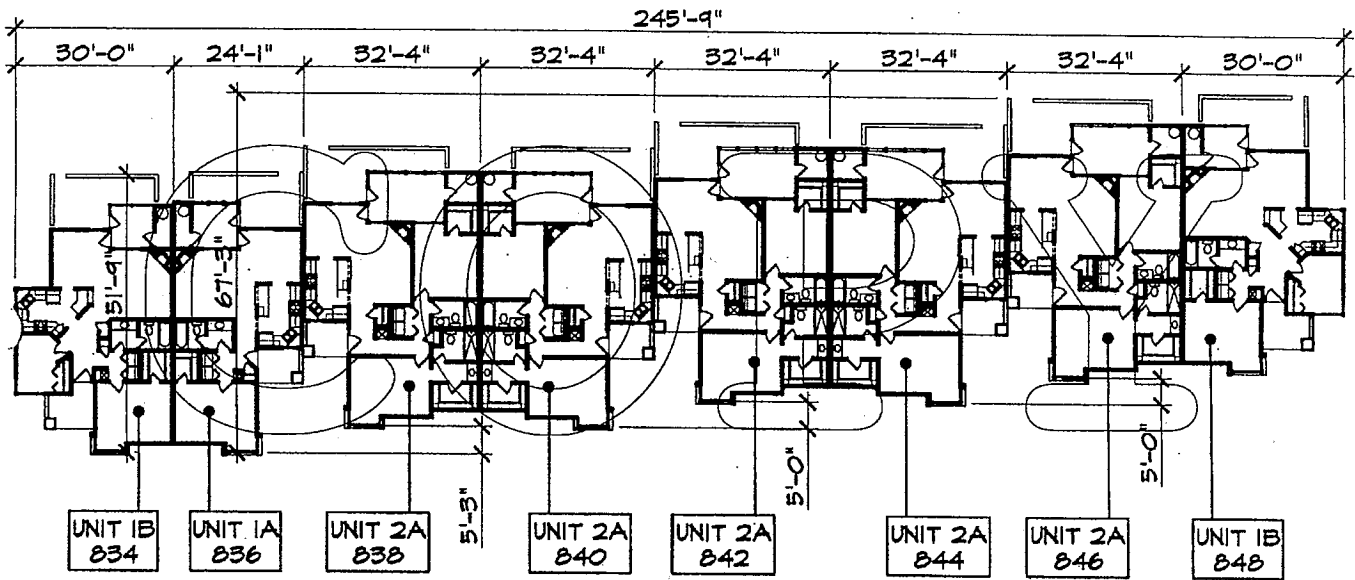
EXHIBIT:

SHEET:

Summer House in Old Ponte Vedra Condominium

Ponte Vedra, Florida

COPY



COPY

PHASE ONE BUILDING 24 FIRST FLOOR PLAN

1
A2.4

SCALE: 1" = 30'-0"

ALL DIMENSIONS ARE TO OUTSIDE OF UNIT WALL

PREPARED BY:

Brown Deane Architects, Inc.
1575 Northside Drive NW Suite 360
Atlanta, Georgia 30316
(404) 603-3500

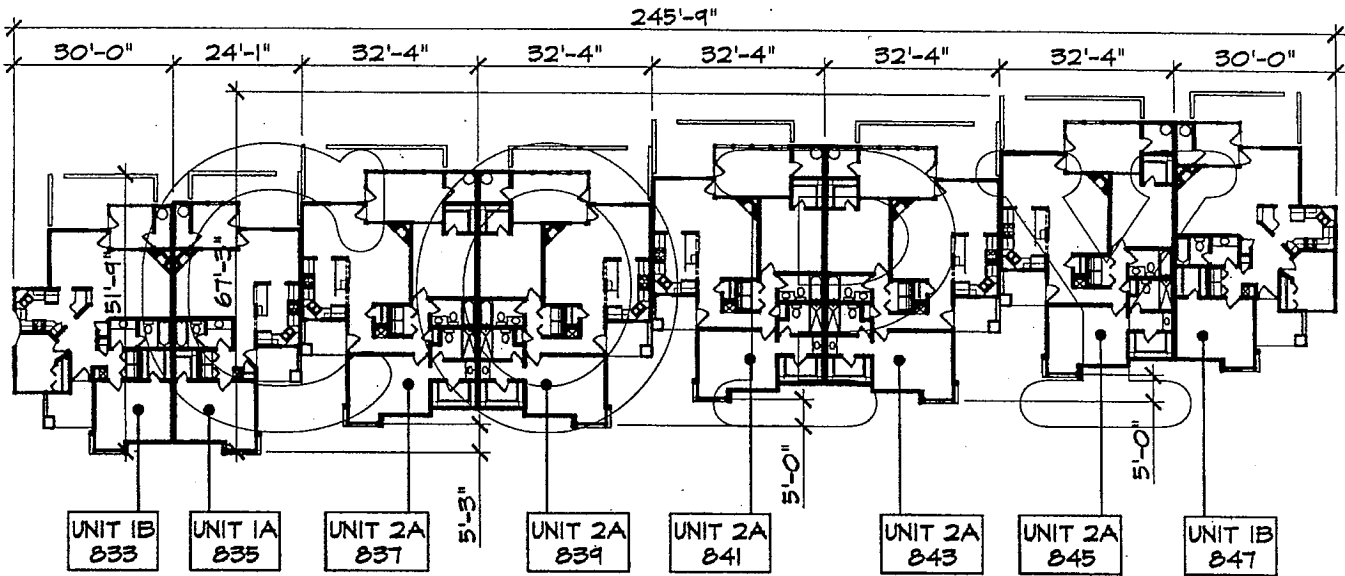
EXHIBIT:

SHEET:

Summer House in Old Ponte Vedra Condominium

Ponte Vedra, Florida

COPY



COPY

PHASE ONE BUILDING 24 SECOND FLOOR PLAN

1
A2.45

SCALE: 1" = 30'-0"

ALL DIMENSIONS ARE TO OUTSIDE OF UNIT WALL

PREPARED BY:

Brown Deans Architects, Inc.
1676 Northside Drive NW Suite 360
Atlanta, Georgia 30316
(404) 608-3500

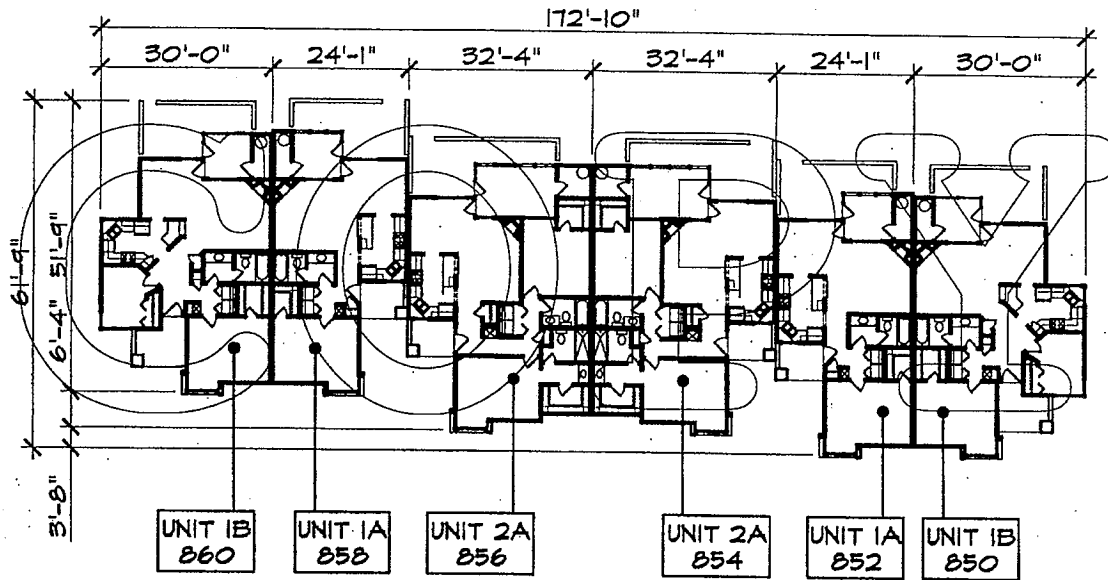
EXHIBIT:

SHEET:

Summer House in Old Ponte Vedra Condominium

Ponte Vedra, Florida

COPY



COPY

PHASE ONE BUILDING 25 FIRST FLOOR PLAN

1
A2.46

SCALE: 1" = 30'-0" ALL DIMENSIONS ARE TO OUTSIDE OF UNIT WALL

PREPARED BY:
Brown Doane Architects, Inc.
 1675 Northside Drive NW Suite 350
 Atlanta, Georgia 30316
 (404) 803-3500

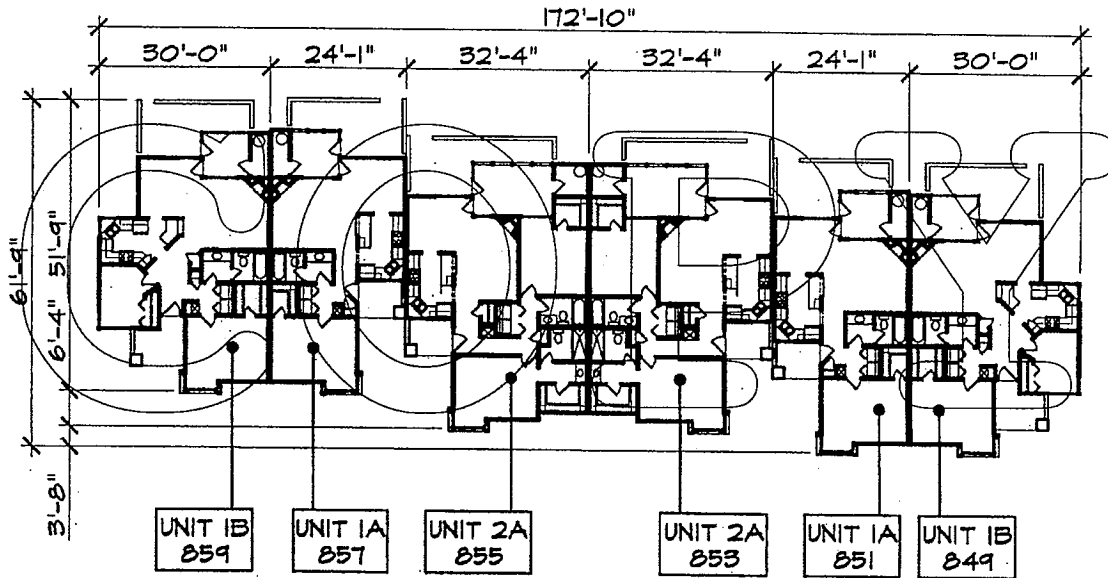
EXHIBIT:

SHEET:

Summer House in Old Ponte Vedra Condominium

Ponte Vedra, Florida

COPY



COPY

PHASE ONE
BUILDING 25 SECOND FLOOR PLN

1
A2.47

SCALE: 1" = 30'-0"

ALL DIMENSIONS ARE TO OUTSIDE OF UNIT WALL

PREPARED BY:

Brown Doane Architects, Inc.
1576 Northside Drive NW Suite 350
Atlanta, Georgia 30318
(404) 803-3500

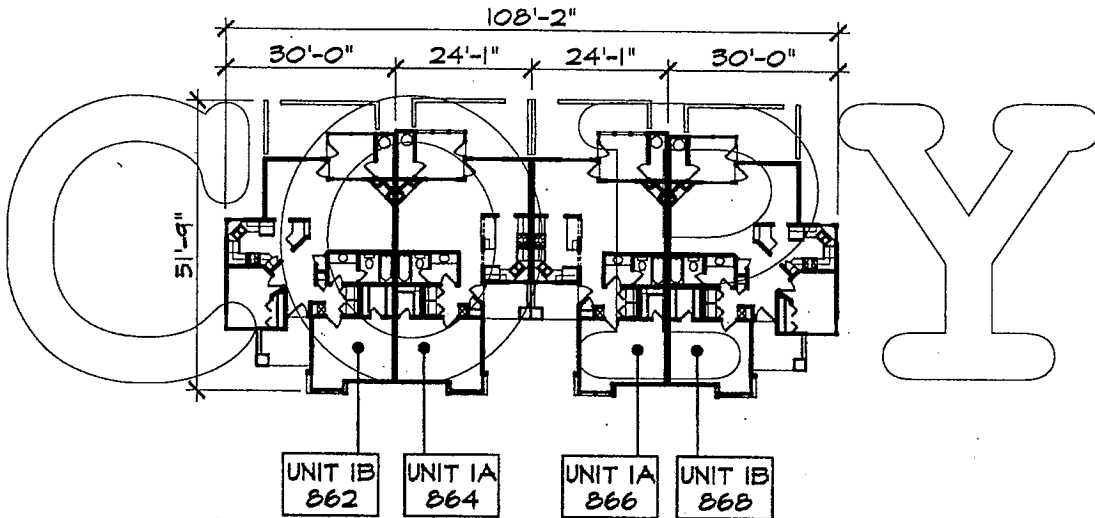
EXHIBIT:

SHEET:

Summer House in Old Ponte Vedra Condominium

Ponte Vedra, Florida

COPY



COPY

PHASE ONE BUILDING 26 FIRST FLOOR PLAN

1
A2.48

SCALE: 1" = 30'-0"

ALL DIMENSIONS ARE TO OUTSIDE OF UNIT WALL

PREPARED BY:

Brown Doane Architects, Inc.
1675 Northside Drive NW Suite 350
Atlanta, Georgia 30318
(404) 608-3500

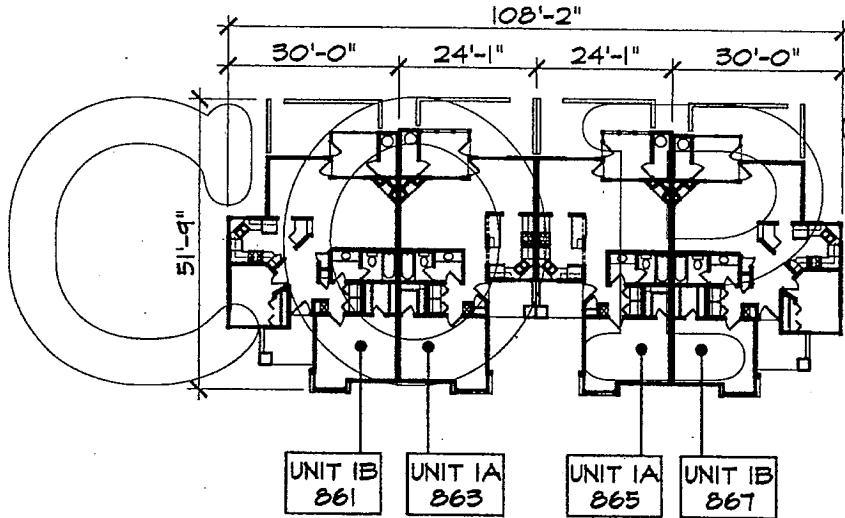
EXHIBIT:

SHEET:

Summer House in Old Ponte Vedra Condominium

Ponte Vedra, Florida

COPY



COPY

PHASE ONE
BUILDING 26 SECOND FLOOR PLAN

1
2.49

SCALE: 1" = 30'-0"

ALL DIMENSIONS ARE TO OUTSIDE OF UNIT WALL

PREPARED BY:

Brown Doane Architects, Inc.
1575 Northside Drive NW Suite 350
Atlanta, Georgia 30316
(404) 603-3500

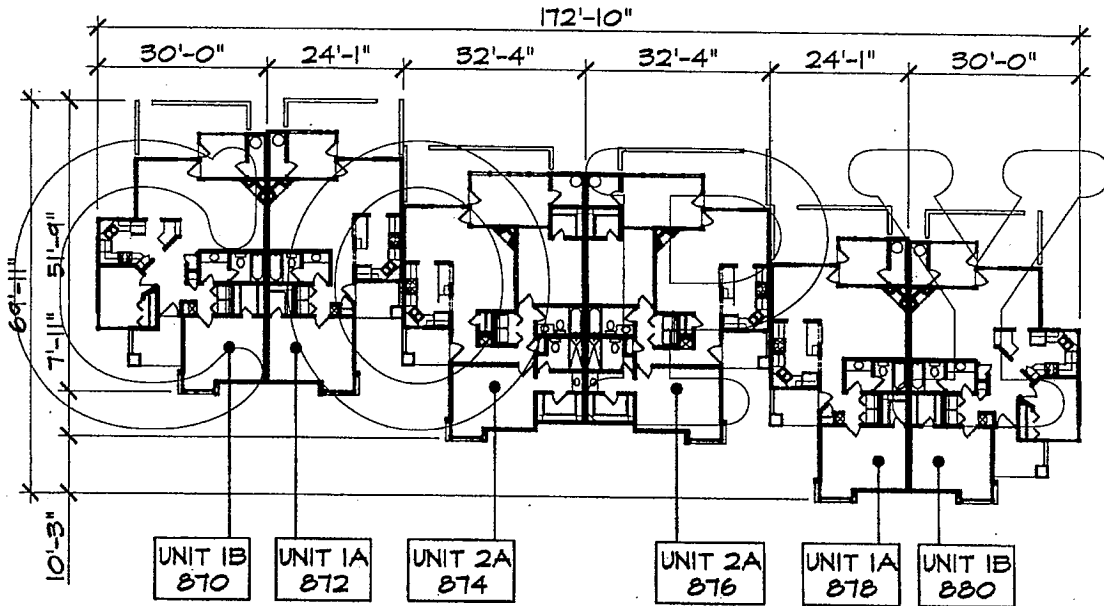
EXHIBIT:

SHEET:

Summer House in Old Ponte Vedra Condominium

Ponte Vedra, Florida

COPY



COPY

PHASE ONE BUILDING 27 FIRST FLOOR PLAN

1
A2.50

SCALE: 1" = 30'-0"

ALL DIMENSIONS ARE TO OUTSIDE OF UNIT WALL

PREPARED BY:

Brown Doane Architects, Inc.
1576 Northside Drive NW Suite 350
Atlanta, Georgia 30318
(404) 603-3500

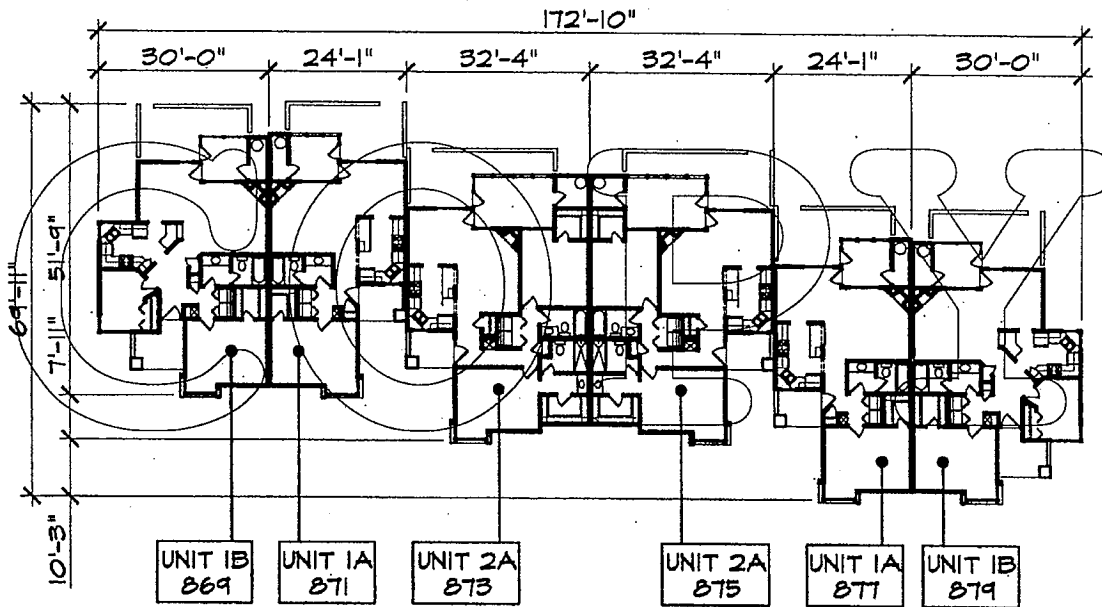
EXHIBIT:

SHEET:

Summer House in Old Ponte Vedra Condominium

Ponte Vedra, Florida

COPY



COPY

PHASE ONE
BUILDING 21 SECOND FLOOR PLAN

1
A2.51

SCALE: 1" = 30'-0"

ALL DIMENSIONS ARE TO OUTSIDE OF UNIT WALL

PREPARED BY:

Brown Doane Architects, Inc.
1575 Northside Drive NW Suite 350
Atlanta, Georgia 30318
(404) 603-3500

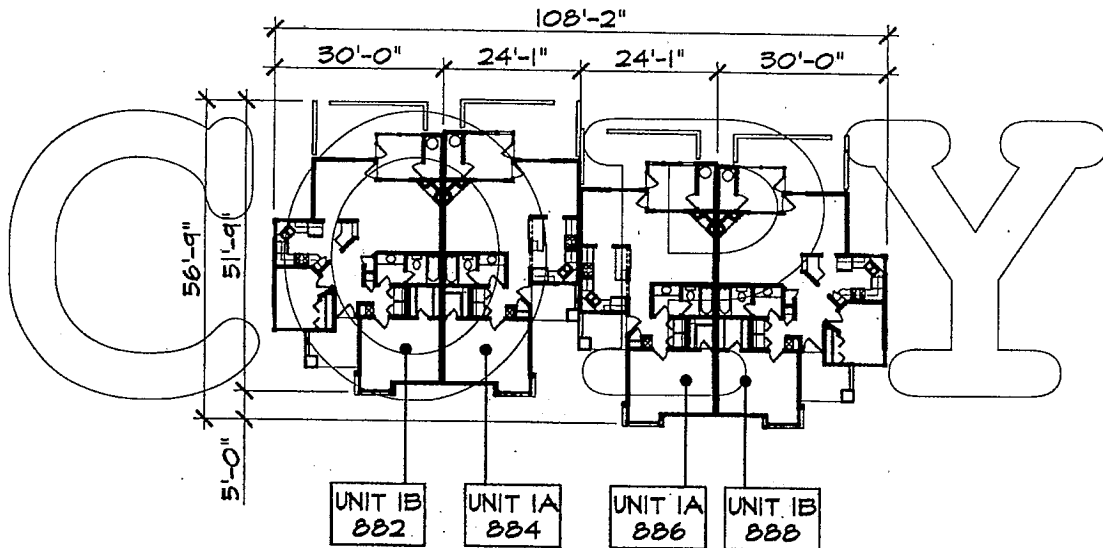
EXHIBIT:

SHEET:

Summer House in Old Ponte Vedra Condominium

Ponte Vedra, Florida

COPY



COPY

PHASE ONE BUILDING 28 FIRST FLOOR PLAN

1
A2.32

SCALE: 1" = 30'-0"

ALL DIMENSIONS ARE TO OUTSIDE OF UNIT WALL

PREPARED BY:

Brown Doane Architects, Inc.
1575 Northside Drive NW Suite 350
Atlanta, Georgia 30318
(404) 803-3500

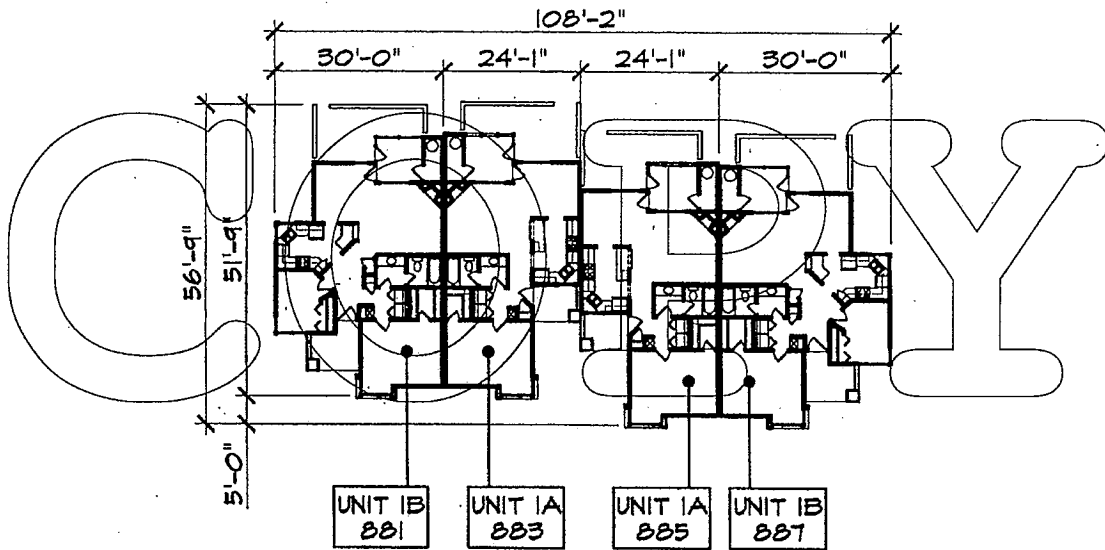
EXHIBIT:

SHEET:

Summer House in Old Ponte Vedra Condominium

Ponte Vedra, Florida

COPY



COPY

PHASE ONE
BUILDING 28 SECOND FLOOR PLAN

1
12.53

SCALE: 1" = 30'-0"

ALL DIMENSIONS ARE TO OUTSIDE OF UNIT WALL

PREPARED BY:
Brown Doane Architects, Inc.
1575 Northside Drive NW Suite 350
Atlanta, Georgia 30318
(404) 603-3500

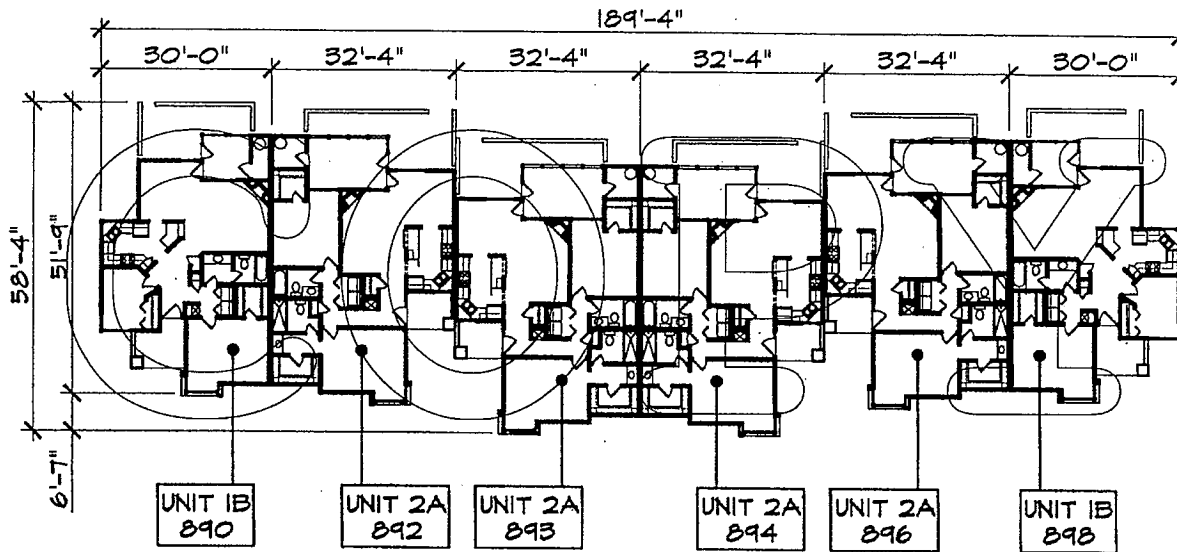
EXHIBIT:

SHEET:

Summer House in Old Ponte Vedra Condominium

Ponte Vedra, Florida

COPY



COPY

PHASE ONE BUILDING 29 FIRST FLOOR PLAN

1
A2.54

SCALE: 1" = 30'-0"

ALL DIMENSIONS ARE TO OUTSIDE OF UNIT WALL

PREPARED BY:

Brown Doane Architects, Inc.
1675 Northside Drive NW Suite 350
Atlanta, Georgia 30318
(404) 503-3600

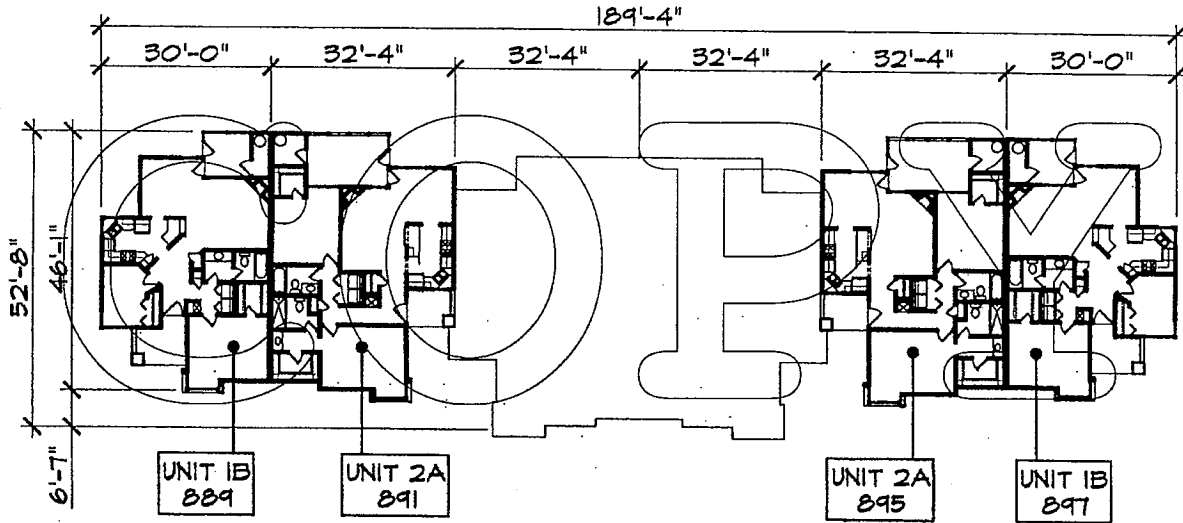
EXHIBIT:

SHEET:

Summer House in Old Ponte Vedra Condominium

Ponte Vedra, Florida

COPY



COPY

PHASE ONE
BUILDING 29 SECOND FLOOR PLN

1
A2.35

SCALE: 1" = 30'-0"

ALL DIMENSIONS ARE TO OUTSIDE OF UNIT WALL

PREPARED BY:

Brown Doane Architects, Inc.
1575 Northside Drive NW Suite 350
Atlanta, Georgia 30318
(404) 603-3500

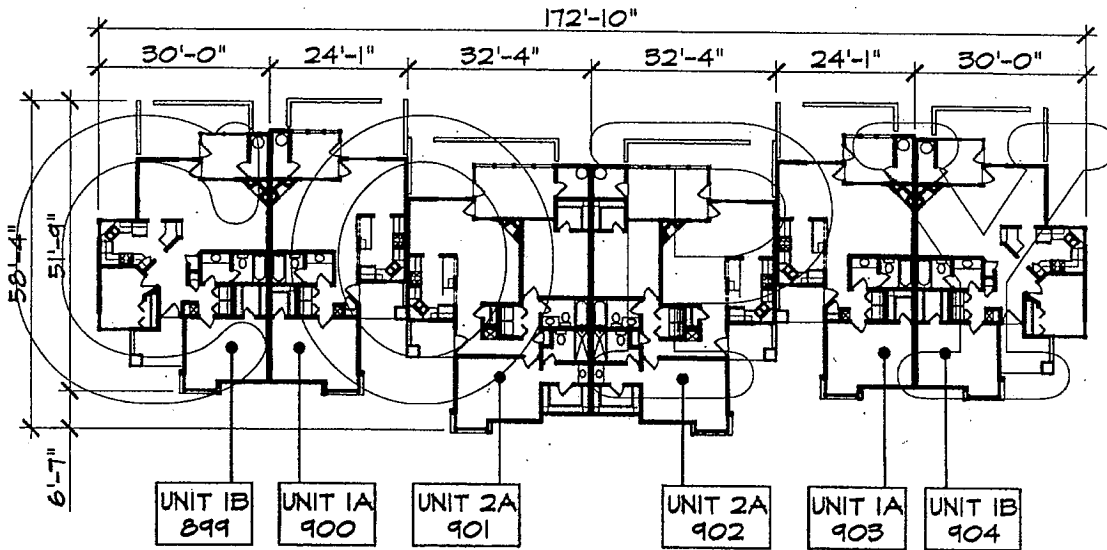
EXHIBIT:

SHEET:

Summer House in Old Ponte Vedra Condominium

Ponte Vedra, Florida

COPY



COPY

PHASE ONE BUILDING 30 FLOOR PLAN

1
A2.56

SCALE: 1" = 30'-0"

ALL DIMENSIONS ARE TO OUTSIDE OF UNIT WALL

PREPARED BY:

Brown Doane Architects, Inc.
1875 Northside Drive NW Suite 350
Atlanta, Georgia 30318
(404) 603-3500

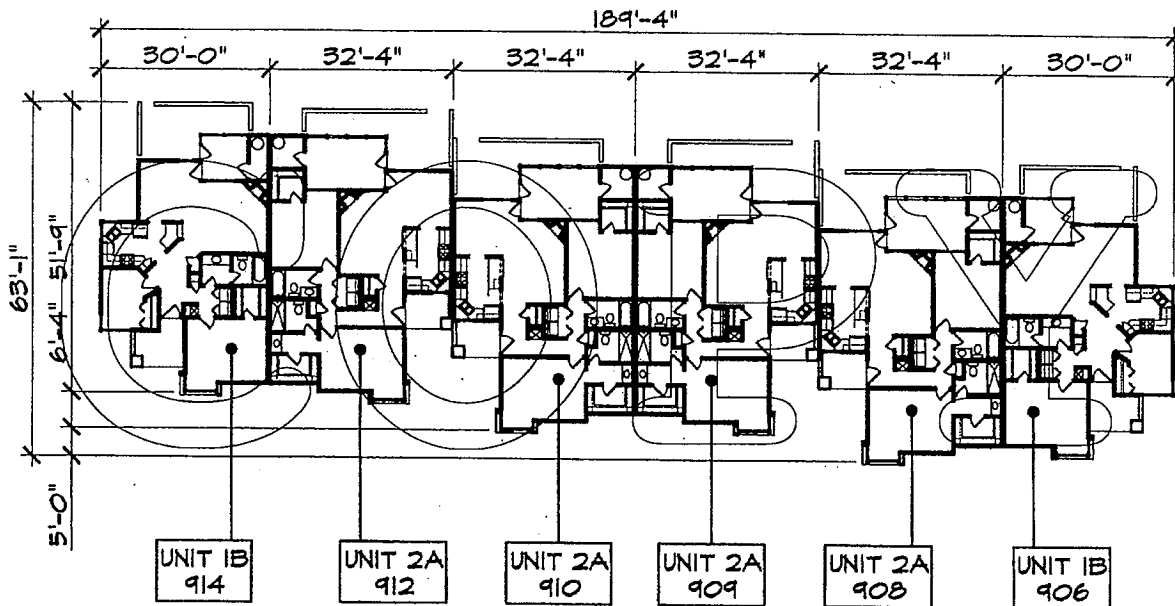
EXHIBIT:

SHEET:

Summer House in Old Ponte Vedra Condominium

Ponte Vedra, Florida

COPY



COPY

PHASE ONE BUILDING 31 FIRST FLOOR PLAN

1
2.57

SCALE: 1" = 30'-0"

ALL DIMENSIONS ARE TO OUTSIDE OF UNIT WALL

PREPARED BY:

Brown Doane Architects, Inc.
1575 Northside Drive NW Suite 360
Atlanta, Georgia 30318
(404) 603-3500

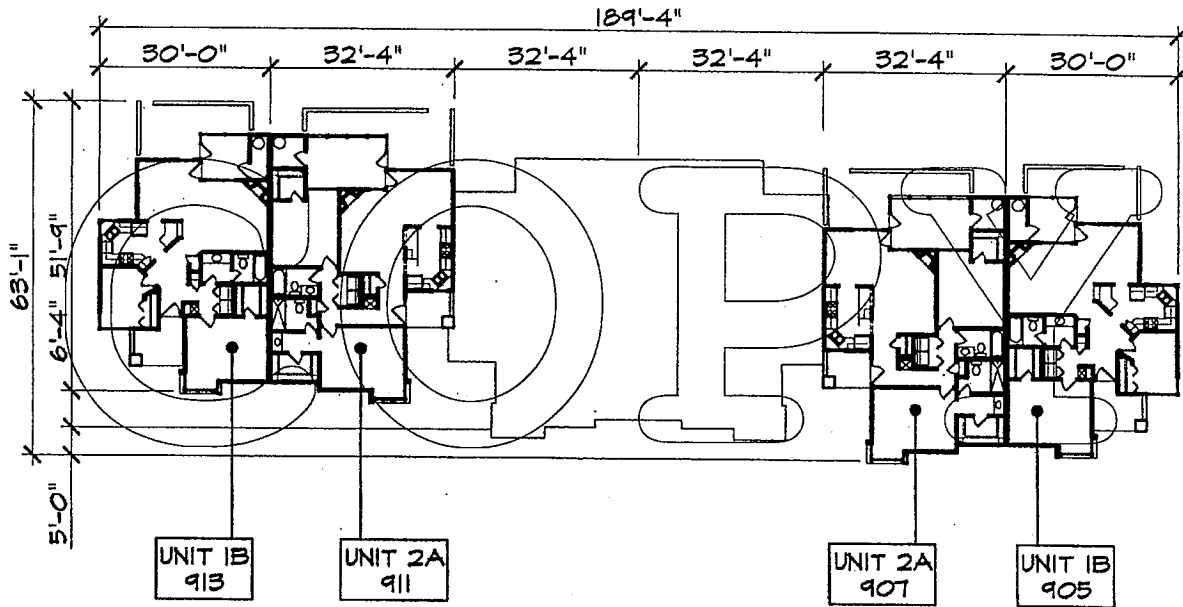
EXHIBIT:

SHEET:

Summer House in Old Ponte Vedra Condominium

Ponte Vedra, Florida

COPY



COPY

PHASE ONE
BUILDING 31 SECOND FLOOR PLN

1
A2.58

SCALE: 1" = 30'-0"

ALL DIMENSIONS ARE TO OUTSIDE OF UNIT WALL

PREPARED BY:

Brown Doane Architects, Inc.
1575 Northside Drive NW Suite 350
Atlanta, Georgia 30316
(404) 503-3500

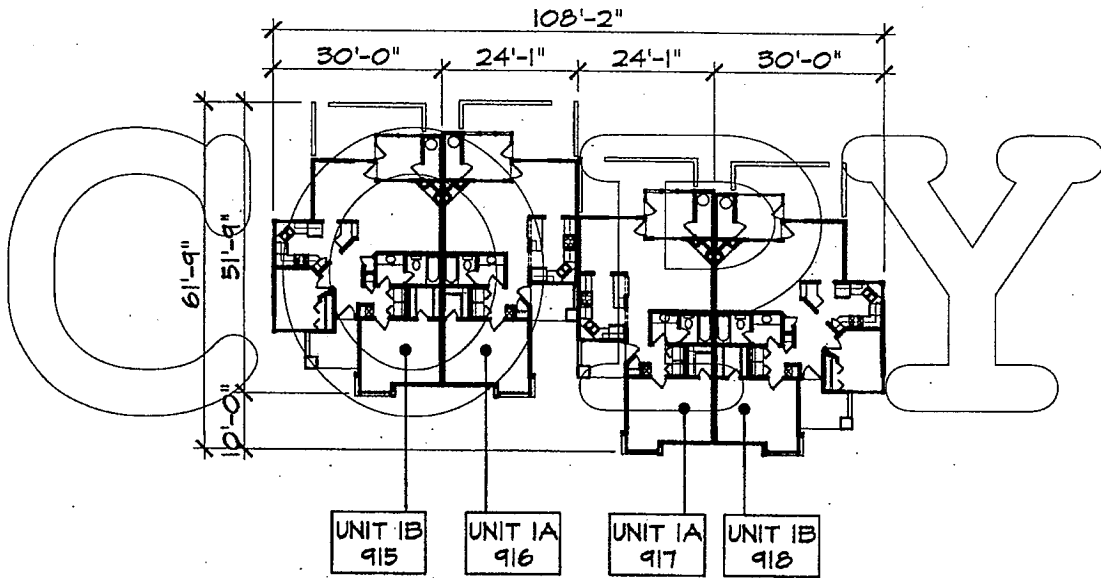
EXHIBIT:

SHEET:

Summer House in Old Ponte Vedra Condominium

Ponte Vedra, Florida

COPY



COPY

PHASE ONE BUILDING 32 FLOOR PLAN

1
A2.59

SCALE: 1" = 30'-0"

ALL DIMENSIONS ARE TO OUTSIDE OF UNIT WALL

PREPARED BY:

Brown Doane Architects, Inc.
1575 Northside Drive NW Suite 350
Atlanta, Georgia 30316
(404) 603-3500

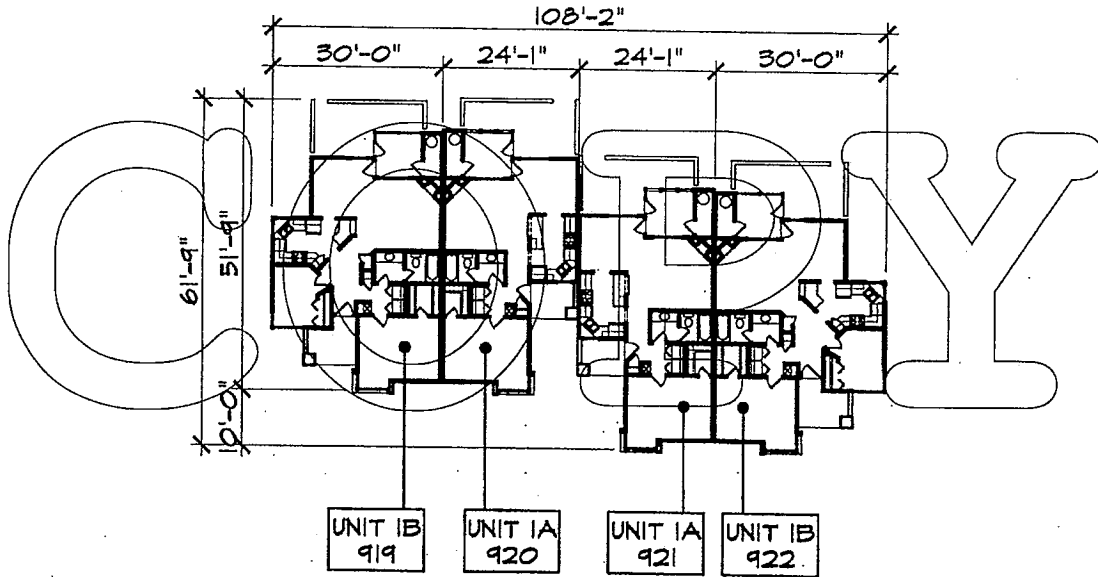
EXHIBIT:

SHEET:

Summer House in Old Ponte Vedra Condominium

Ponte Vedra, Florida

COPY



COPY

PHASE ONE BUILDING 33 FLOOR PLAN

1
A2.60

SCALE: 1" = 30'-0"

ALL DIMENSIONS ARE TO OUTSIDE OF UNIT WALL

PREPARED BY:

Brown Doane Architects, Inc.
1576 Northside Drive NW Suite 550
Atlanta, Georgia 30318
(404) 803-3500

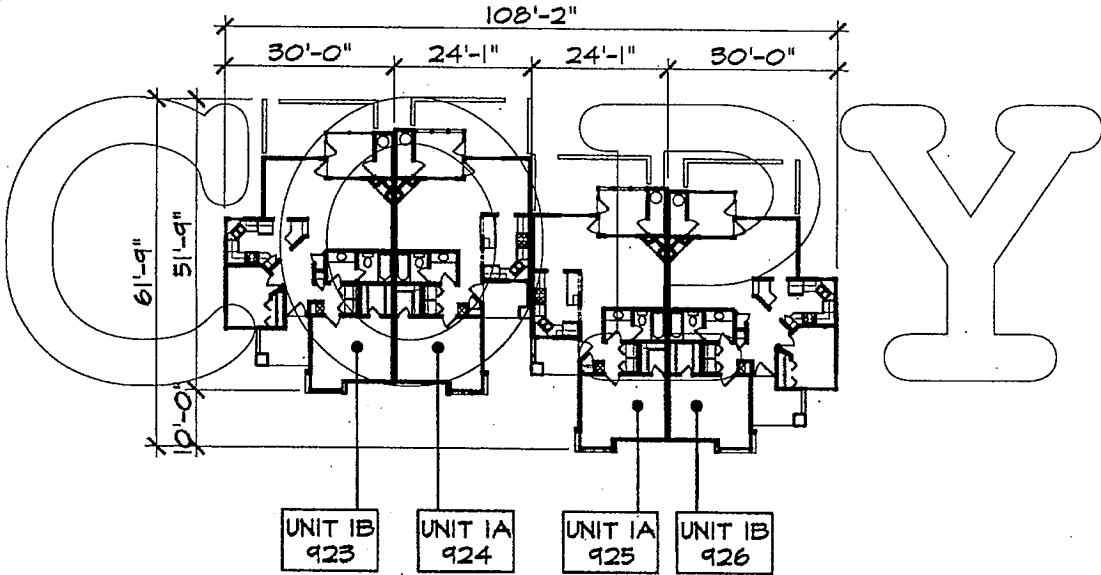
EXHIBIT:

SHEET:

Summer House in Old Ponte Vedra Condominium

Ponte Vedra, Florida

COPY



COPY

PHASE ONE
BUILDING 34 FLOOR PLAN

1
A2.61

SCALE: 1" = 30'-0"

ALL DIMENSIONS ARE TO OUTSIDE OF UNIT WALL

PREPARED BY:

Brown Doane Architects, Inc.
1575 Northside Drive NW Suite 360
Atlanta, Georgia 30315
(404) 503-3500

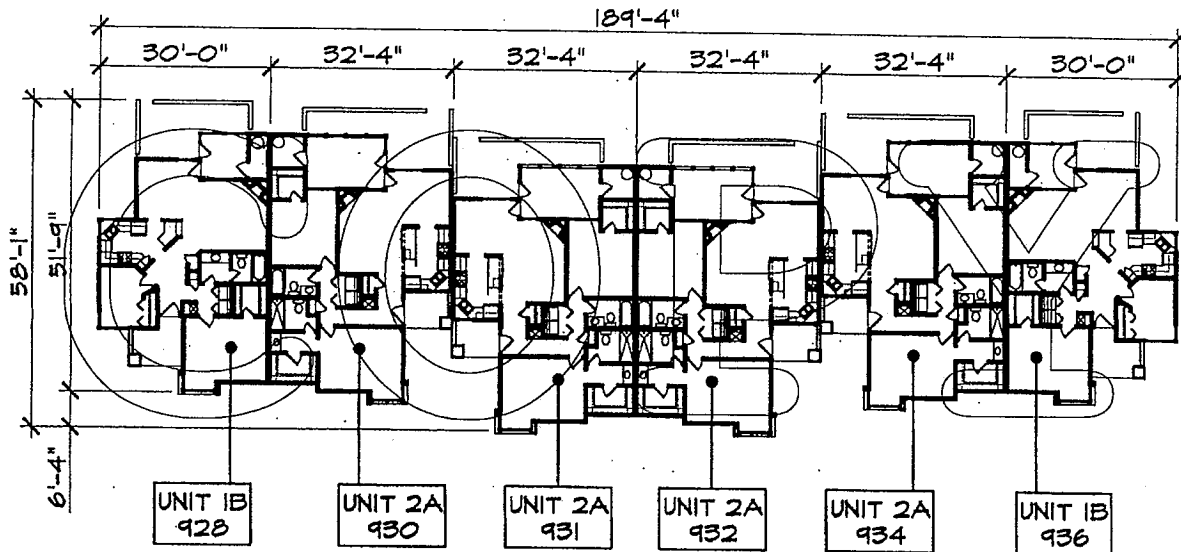
EXHIBIT:

SHEET:

Summer House in Old Ponte Vedra Condominium

Ponte Vedra, Florida

COPY



COPY

PHASE ONE BUILDING 35 FIRST FLOOR PLAN

1
A2.62

SCALE: 1" = 30'-0"

ALL DIMENSIONS ARE TO OUTSIDE OF UNIT WALL

PREPARED BY:

Brown Doane Architects, Inc.
1575 Northside Drive NW Suite 350
Atlanta, Georgia 30318
(404) 608-3500

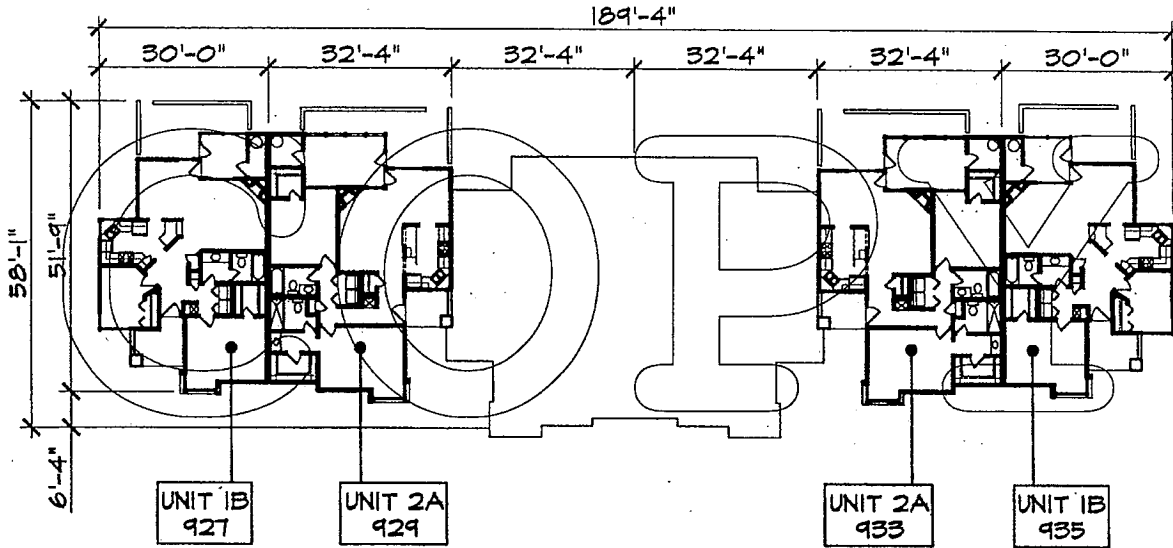
EXHIBIT:

SHEET:

Summer House in Old Ponte Vedra Condominium

Ponte Vedra, Florida

COPY



COPY

PHASE ONE
BUILDING 35 SECOND FLOOR PLAN

1
A2.63

SCALE: 1" = 30'-0"

ALL DIMENSIONS ARE TO OUTSIDE OF UNIT WALL

PREPARED BY:

Brown Doane Architects, Inc.
1675 Northside Drive NW Suite 350
Atlanta, Georgia 30318
(404) 603-3600

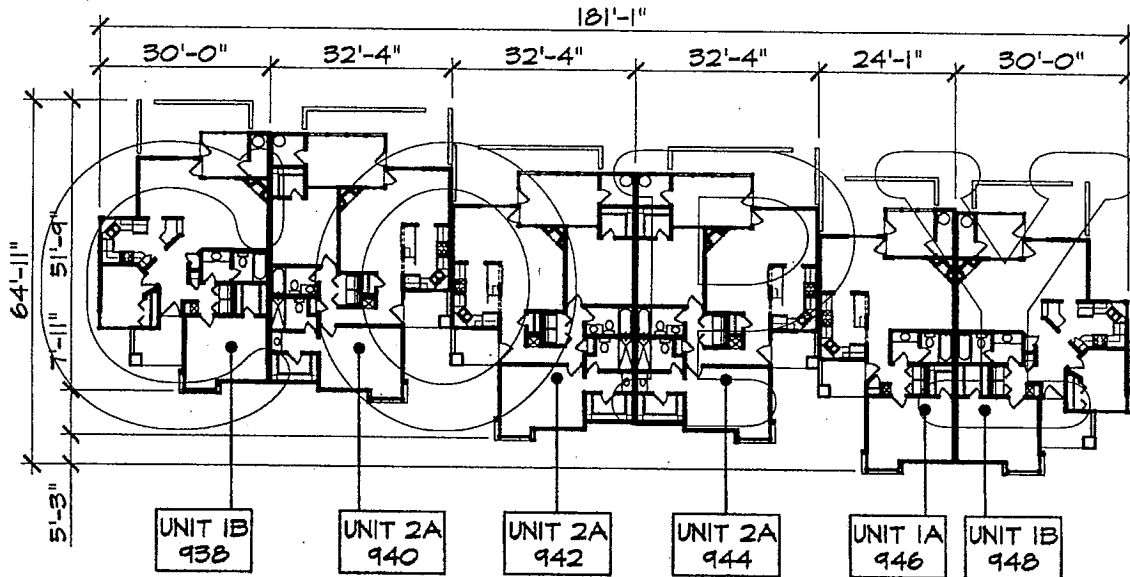
EXHIBIT:

SHEET:

Summer House in Old Ponte Vedra Condominium

Ponte Vedra, Florida

COPY



COPY

PHASE ONE BUILDING 36 FIRST FLOOR PLAN

1
A2.64

SCALE: 1" = 30'-0"

ALL DIMENSIONS ARE TO OUTSIDE OF UNIT WALL

PREPARED BY:

Brown Doane Architects, Inc.
1575 Northside Drive NW Suite 350
Atlanta, Georgia 30318
(404) 603-3500

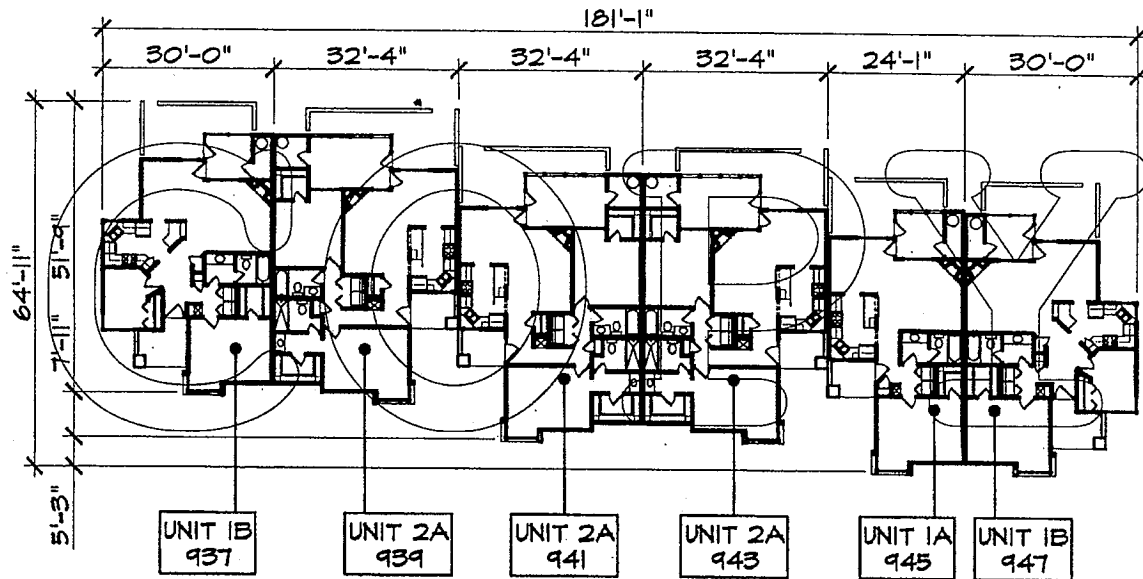
EXHIBIT:

SHEET:

Summer House in Old Ponte Vedra Condominium

Ponte Vedra, Florida

COPY



COPY

PHASE ONE BUILDING 36 SECOND FLOOR PLAN

1
A2.65

SCALE: 1" = 30'-0"

ALL DIMENSIONS ARE TO OUTSIDE OF UNIT WALL

PREPARED BY:

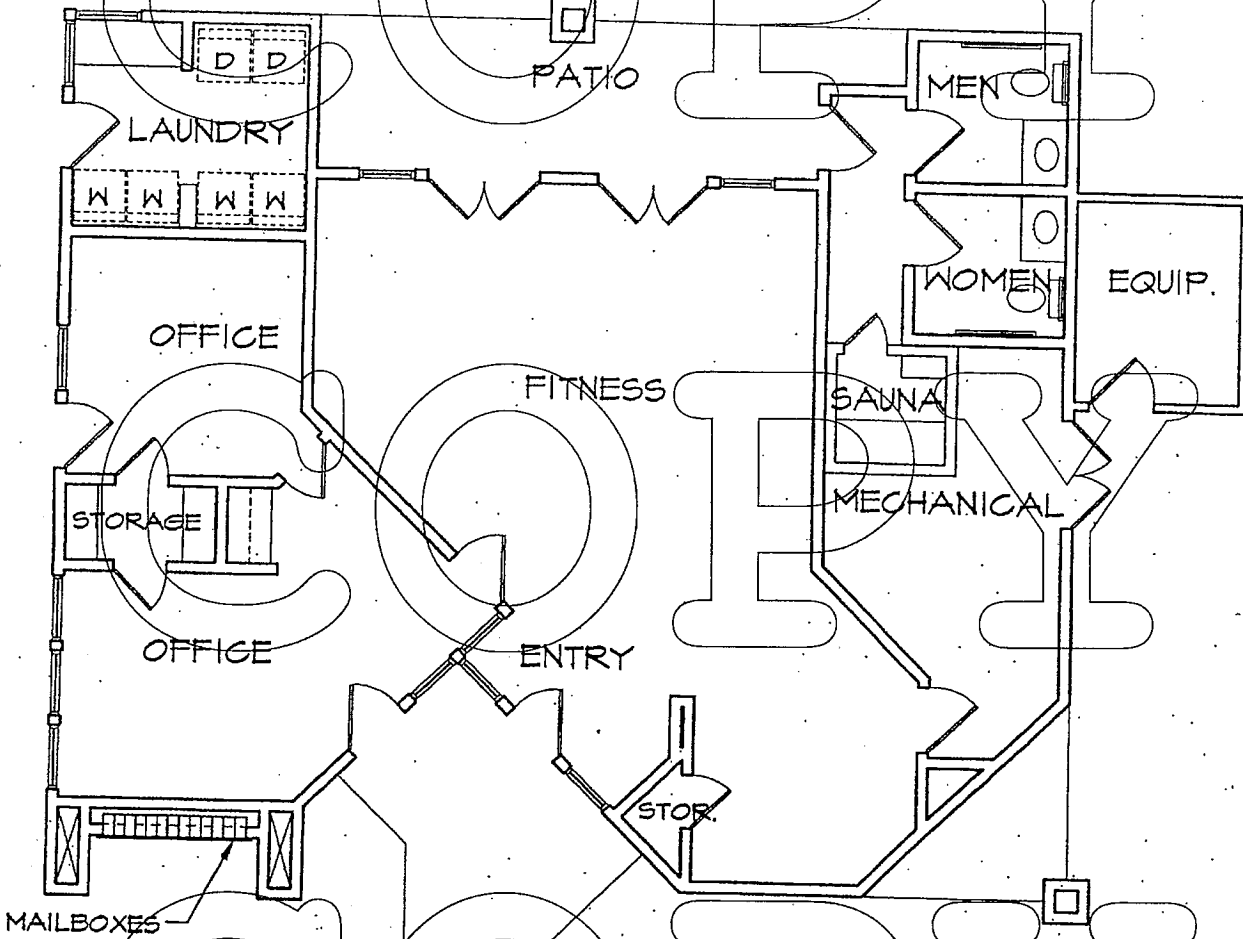
Brown Doane Architects, Inc.
1576 Northside Drive NW Suite 350
Atlanta, Georgia 30318
(404) 603-3500

EXHIBIT:

SHEET:

Summer House in Old Ponte Vedra Condominium

Ponte Vedra, Florida



PHASE ONE
FITNESS CENTER FLOOR PLAN

1
A6.1

SCALE: 1/8" = 1'-0"

PREPARED BY:

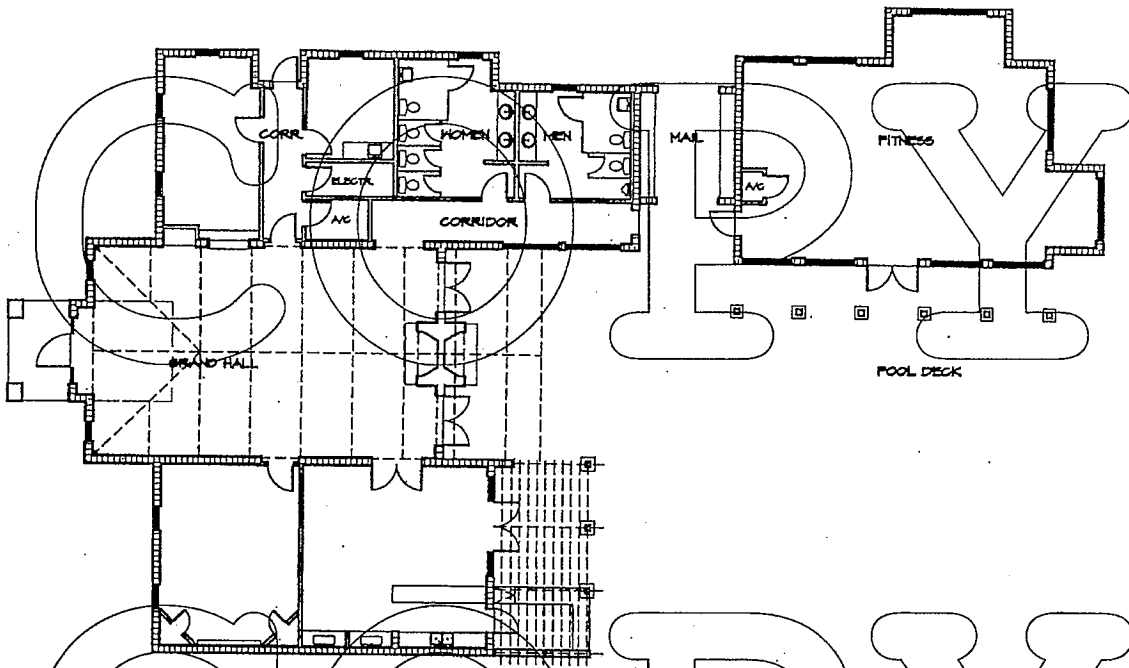
Brown Doane Architects, Inc.
1676 Northside Drive NW Suite 350
Atlanta, Georgia 30318
(404) 603-3500

EXHIBIT:

SHEET:

Summer House in Old Ponte Vedra Condominium Ponte Vedra, Florida

COPY



COPY

PHASE ONE
CLUBHOUSE FLOOR PLAN

A5.1

SCALE: 1" = 20'-0"

PREPARED BY:

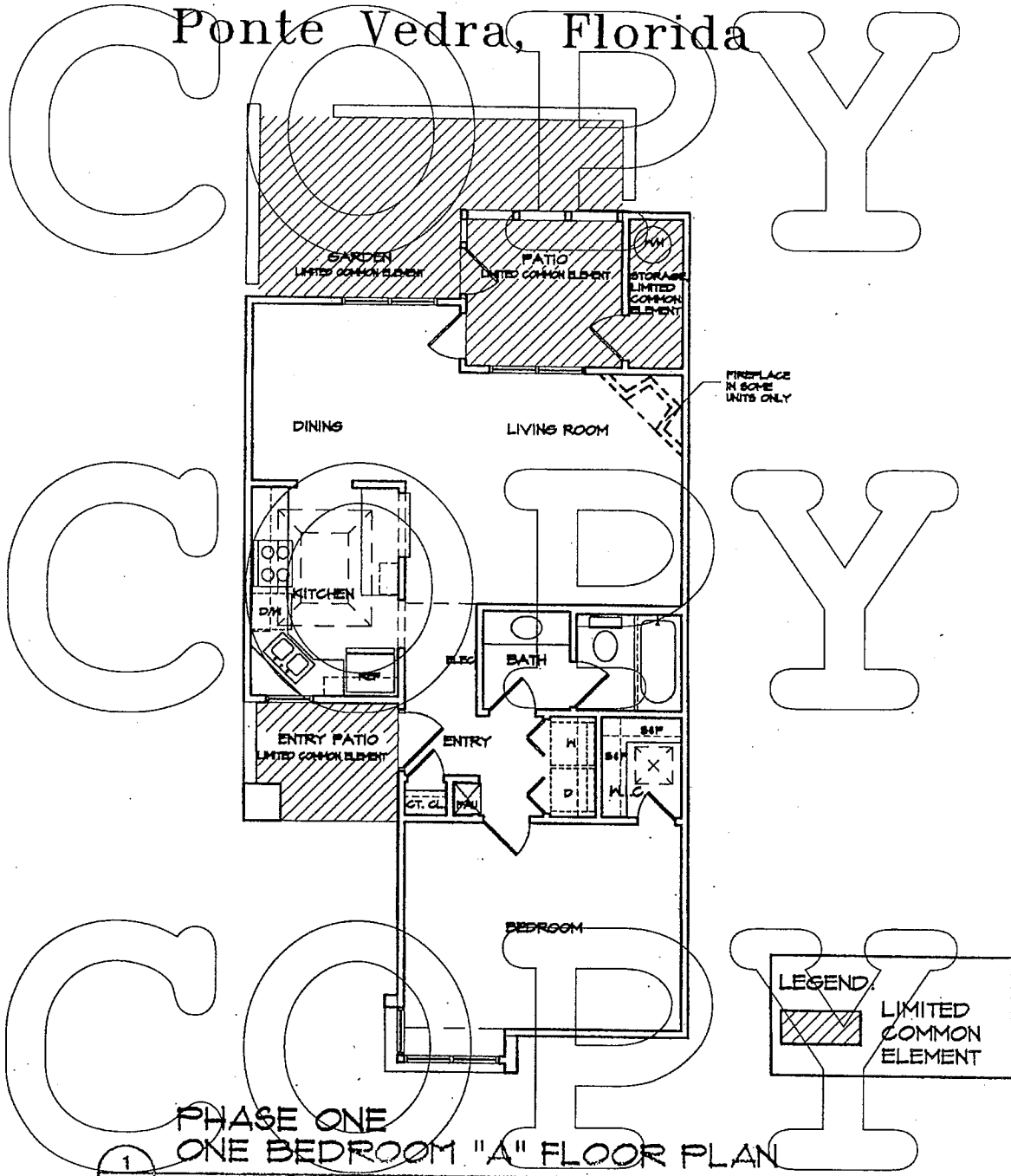
Brown Doane Architects, Inc.
1575 Northside Drive NW Suite 350
Atlanta, Georgia 30318
(404) 603-3500

EXHIBIT:

SHEET:

Summer House in Old Ponte Vedra Condominium

Ponte Vedra, Florida



1
A.1
SCALE: 1/8" = 1'-0"

UNITS: 827, 828, 829, 830, 835, 836, 851, 852, 857, 858, 863, 864, 865, 866, 871, 872, 877, 878, 883, 884, 885, 886, 900, 903, 916, 917, 920, 921, 924, 925, 945, 946	NET SQ. FT. = 734 GROSS SQ. FT. = 887 PATIO SQ. FT. = 94
---	---

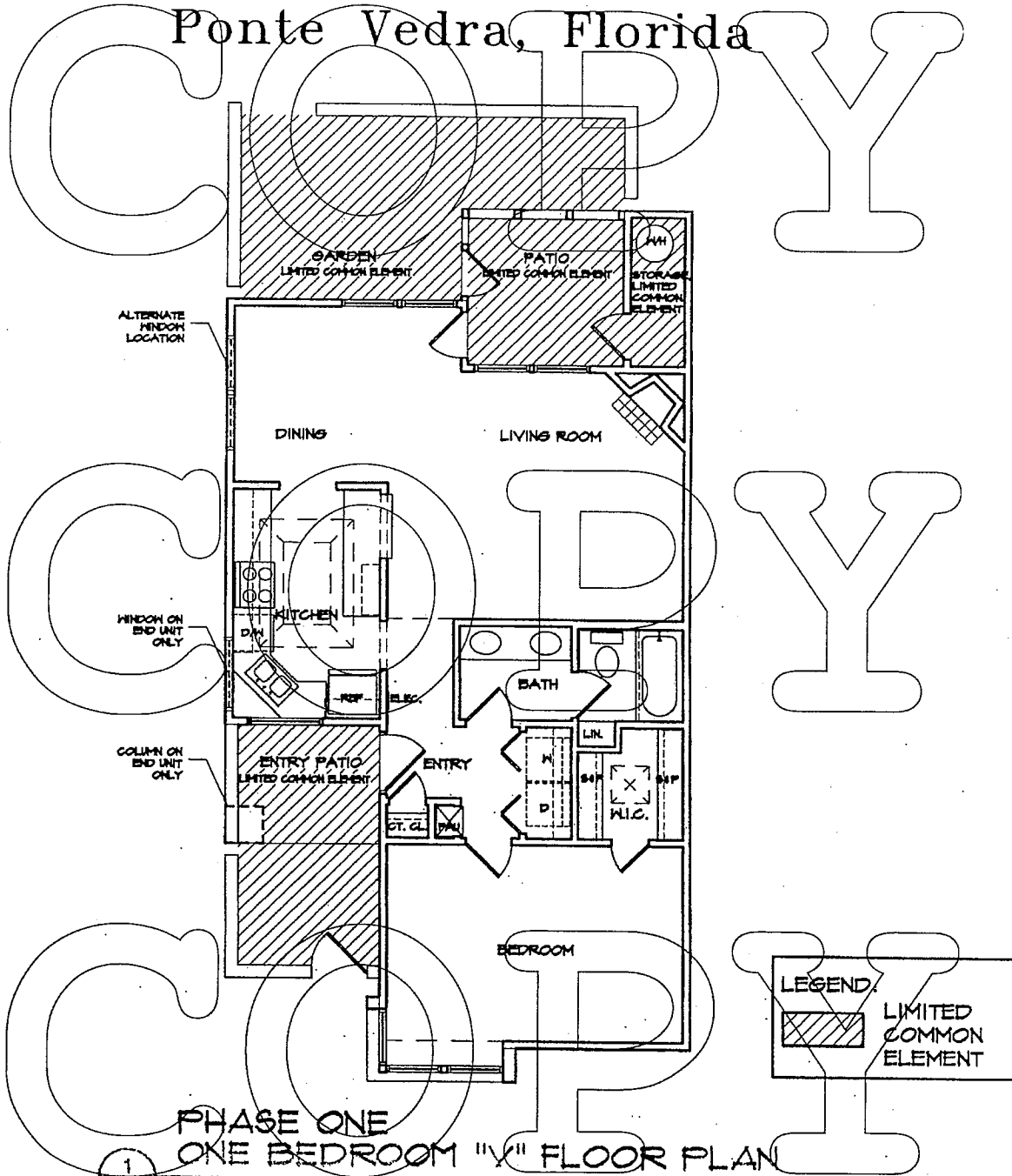
PREPARED BY:
 Brown Doane Architects, Inc.
 1575 Northside Drive NW Suite 360
 Atlanta, Georgia 30318
 (404) 603-3500

EXHIBIT:

SHEET:

Summer House in Old Ponte Vedra Condominium

Ponte Vedra, Florida



1
A4.2

SCALE: 1/8" = 1'-0"

<p>UNITS: 702, 704, 709, 710, 711, 712, 714, 716, 717, 718, 719, 720, 721, 723, 741, 743, 745, 747, 753, 755, 766, 768, 782, 784, 786, 788, 791, 793, 794, 796, 806, 808, 811, 813, 815, 817, 818, 820</p>	<p>NET SQ. FT. = 790 GROSS SQ. FT. = 944 PATIO SQ. FT. = 94</p>
--	---

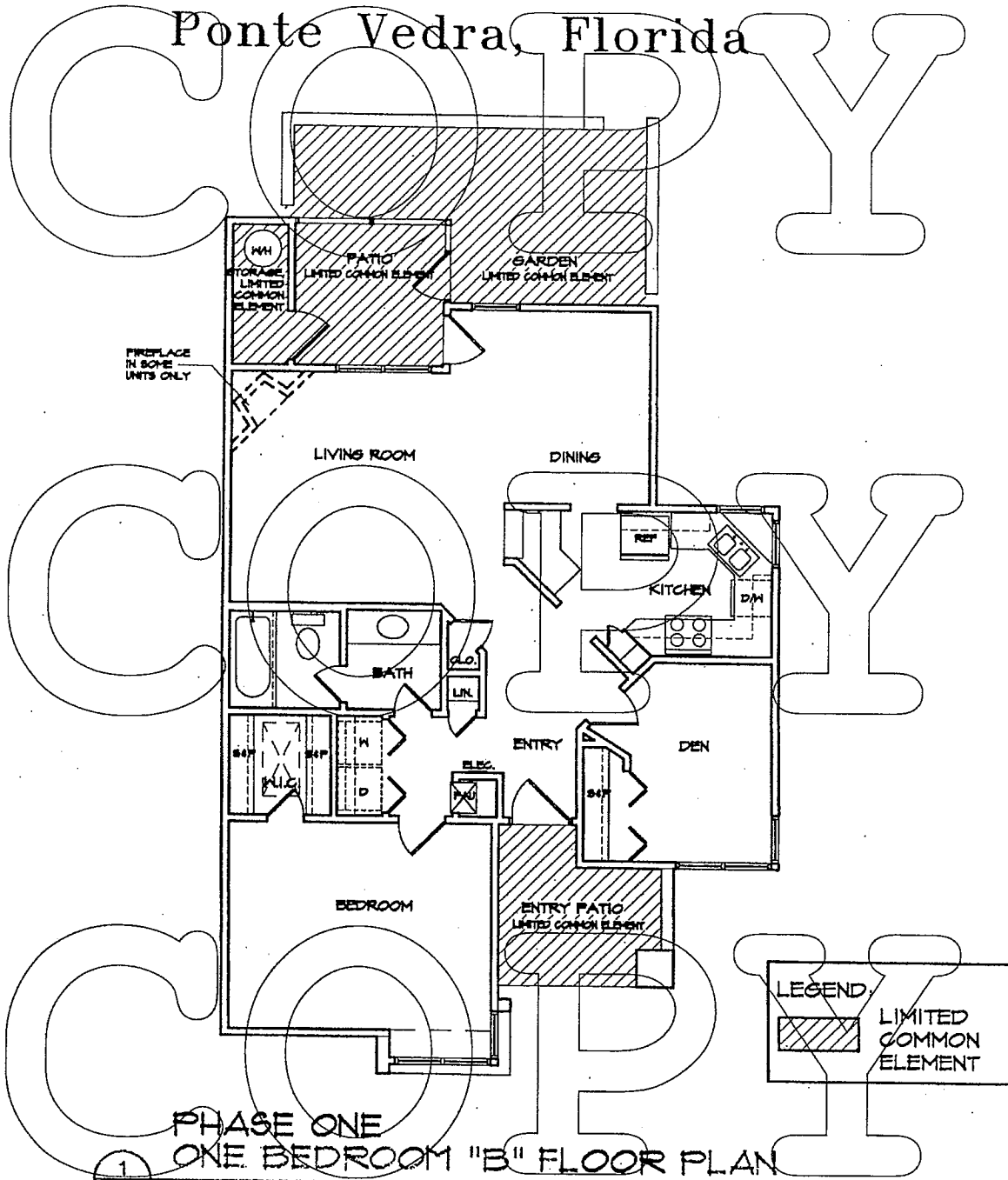
PREPARED BY:
Brown Doane Architects, Inc.
1875 Northside Drive NW Suite 350
Atlanta, Georgia 30318
(404) 603-3500

EXHIBIT:

SHEET:

Summer House in Old Ponte Vedra Condominium

Ponte Vedra, Florida



1
A4.3

SCALE: 1/8" = 1'-0"

UNITS:	NET SQ. FT. = 890
825, 826, 831, 832, 833, 834, 847, 848, 849, 850, 859,	GROSS SQ. FT. = 1038
860, 861, 862, 867, 868, 869, 870, 879, 880, 881, 882,	PATIO SQ. FT. = 88
887, 888, 889, 890, 897, 898, 899, 904, 905, 906, 913,	
914, 915, 918, 919, 922, 923, 926, 927, 928, 935, 936, 937,	
938, 947, 948	

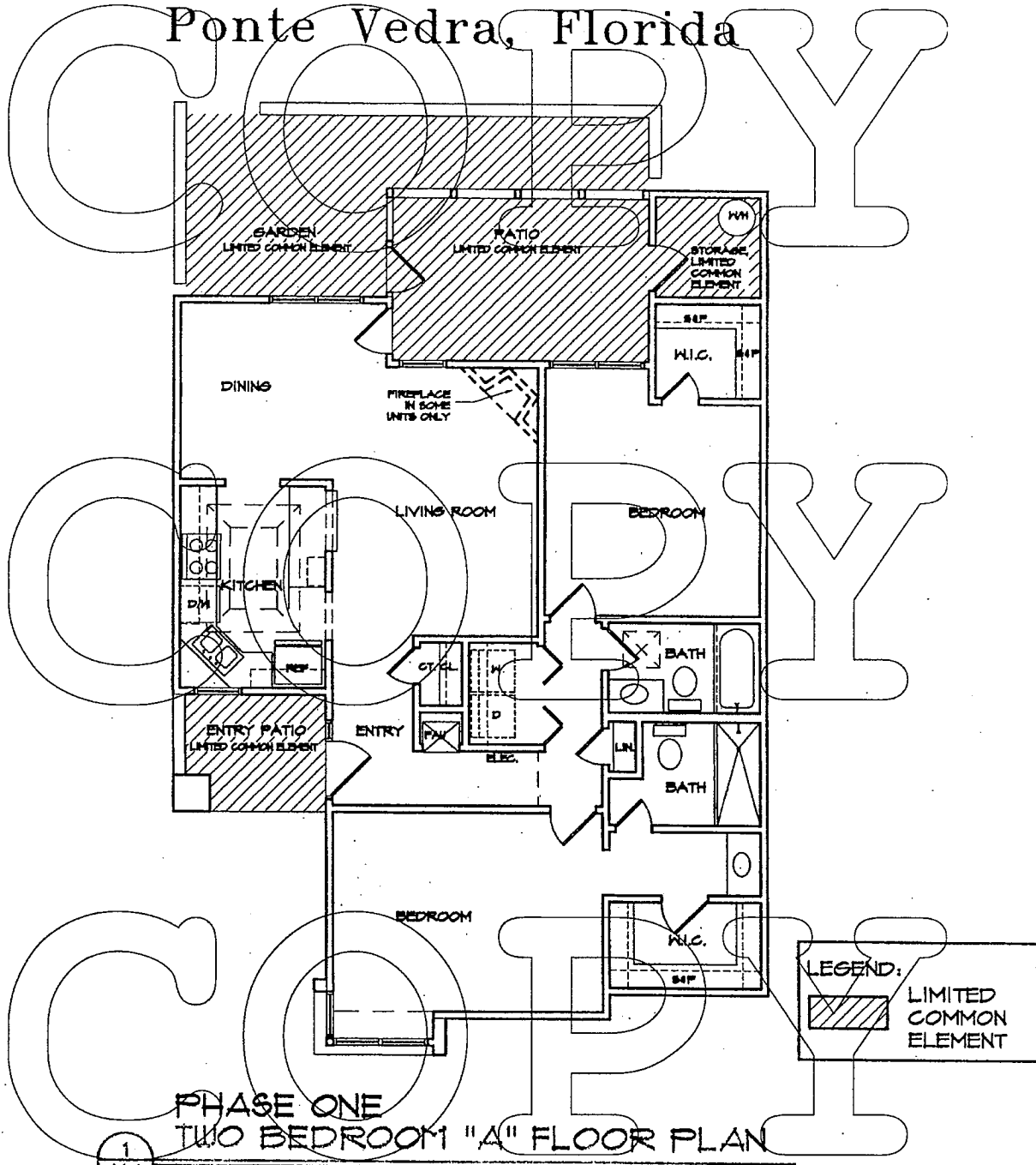
PREPARED BY:
Brown Doane Architects, Inc.
1575 Northside Drive NW Suite 350
Atlanta, Georgia 30318
(404) 803-3500

EXHIBIT:

SHEET:

Summer House in Old Ponte Vedra Condominium

Ponte Vedra, Florida



1
A4.4

SCALE: 1/8" = 1'-0"

UNITS:

837, 838, 839, 840, 841, 842, 843, 844, 845, 846, 853,
854, 855, 856, 873, 874, 875, 876, 891, 892, 893, 894,
895, 896, 901, 902, 907, 908, 909, 910, 911, 912, 929,
930, 931, 932, 933, 934, 939, 940, 941, 942, 943, 944

NET SQ. FT. = 1033
GROSS SQ. FT. = 1264
PATIO SQ. FT. = 160

PREPARED BY:

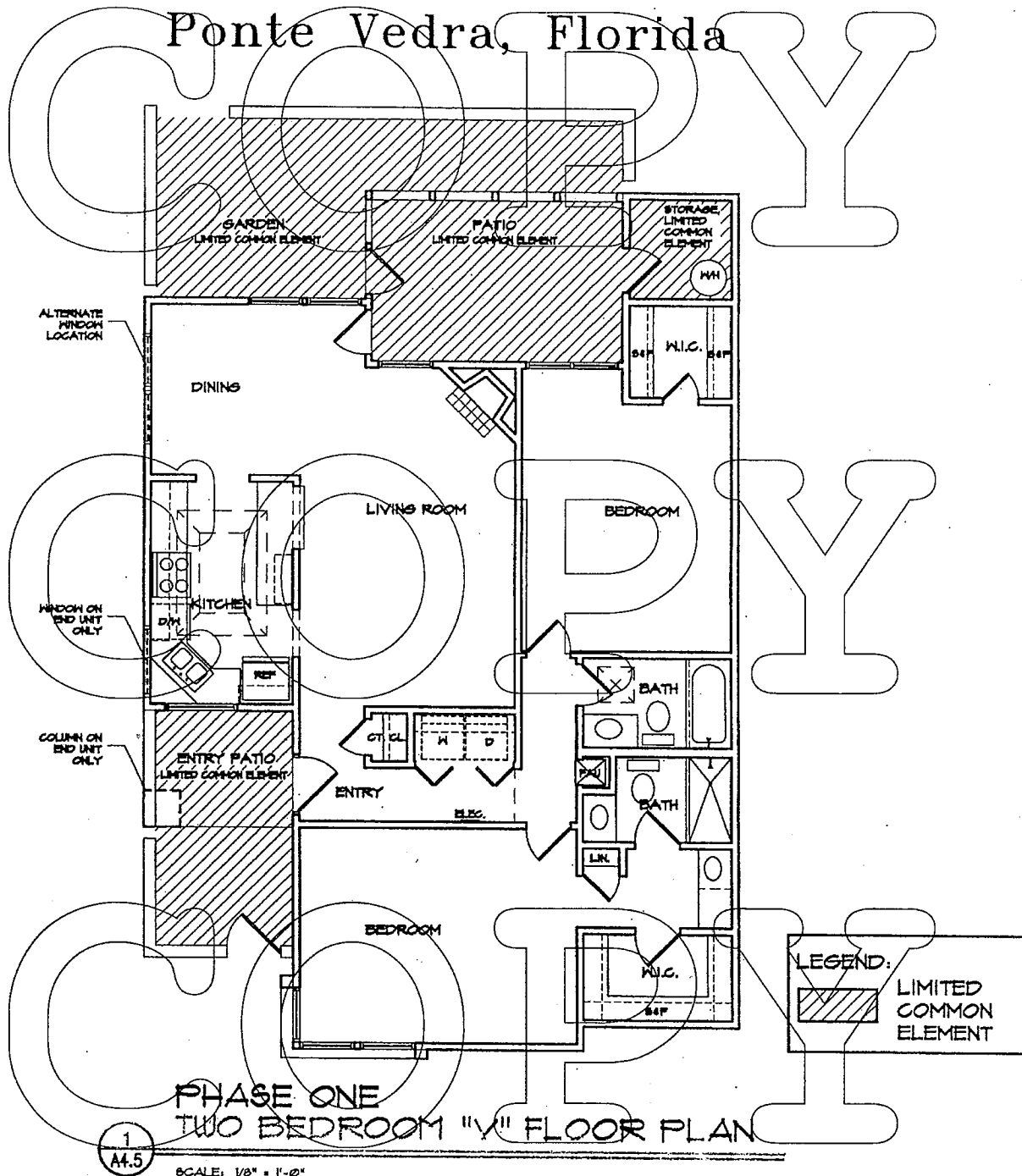
Brown Doane Architects, Inc.
1575 Northside Drive NW Suite 350
Atlanta, Georgia 30318
(404) 603-3500

EXHIBIT:

SHEET:

Summer House in Old Ponte Vedra Condominium

Ponte Vedra, Florida



1
A4.5

SCALE: 1/8" = 1'-0"

<p>UNITS: 701, 703, 726, 728, 729, 731, 737, 738, 739, 740, 746, 748, 749, 750, 751, 752, 754, 756, 761, 762, 763, 764, 765, 767, 773, 774, 775, 776, 778, 779, 780, 781, 795, 797, 798, 799, 800, 801, 810, 812, 819, 821</p>	<p>NET SQ. FT. = 1113 GROSS SQ. FT. = 1344 PATIO SQ. FT. = 160</p>
--	--


PREPARED BY:
Brown Doane Architects, Inc.
1575 Northside Drive NW Suite 350
Atlanta, Georgia 30318
(404) 803-3500

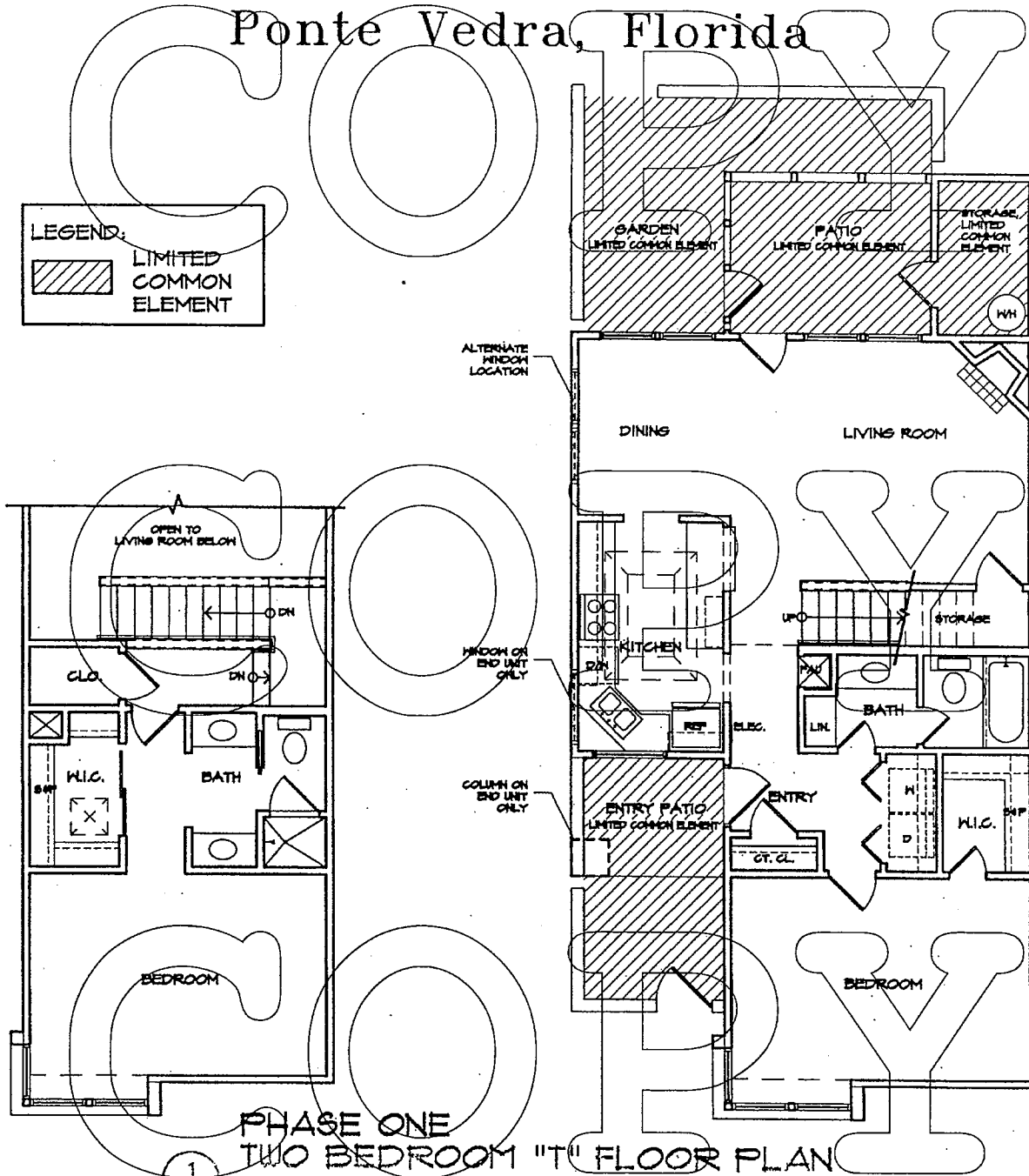
EXHIBIT:

SHEET:

Summer House in Old Ponte Vedra Condominium

Ponte Vedra, Florida

LEGEND:
 LIMITED COMMON ELEMENT



**PHASE ONE
TWO BEDROOM "T" FLOOR PLAN**

1
A4.6
SCALE: 1/8" = 1'-0"

UNITS: 706, 708, 713, 715, 722, 724, 725, 727, 730, 732, 751, 759, 769, 770, 771, 772, 783, 785, 787, 789, 790, 792, 802, 804, 807, 809, 814, 816, 822, 823	NET SQ. FT. = 1215 GROSS SQ. FT. = 1439 PATIO SQ. FT. = 132
---	--

PREPARED BY:
 Brown Doane Architects, Inc.
 1575 Northside Drive NW Suite 350
 Atlanta, Georgia 30316
 (404) 803-3500

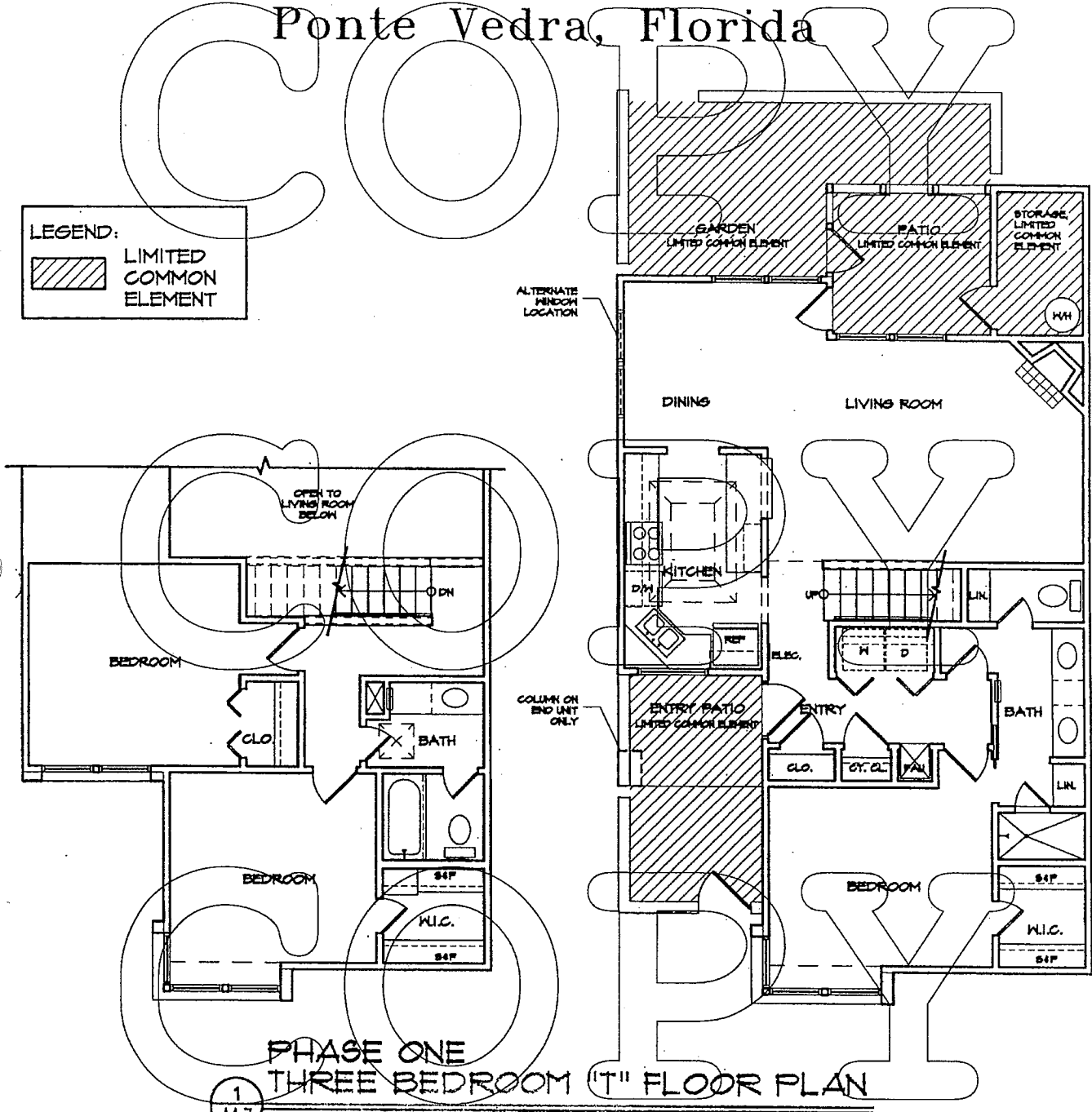
EXHIBIT:

SHEET:

Summer House in Old Ponte Vedra Condominium

Ponte Vedra, Florida

LEGEND:



**PHASE ONE
THREE BEDROOM 11 FLOOR PLAN**

1
A4.7

SCALE: 1/8" = 1'-0"

UNITS: 705, 707, 733, 734, 735, 736, 742, 744, 758, 760, 803, 805	NET SQ. FT. = 1330 GROSS SQ. FT. = 1543 PATIO SQ. FT. = 117
---	---

PREPARED BY:

Brown Doane Architects, Inc.
 1576 Northside Drive NW Suite 350
 Atlanta, Georgia 30318
 (404) 605-3500

EXHIBIT:

SHEET:

